

Round20 Oak Double

DESIGN ROBERT BRONWASSER

The Round20 Double element offers double hanging capacity. The Round20 Double is available in various widths and can also be joined together. The wooden uprights are available in natural oak, black and white, and can be provided with hooks or coat hangers.

Das Round20 Double Element bietet doppelte Aufhängekapazität. Round20 Double ist in verschiedenen Breiten lieferbar und kann verkettet werden. Die Elemente sind in Eiche Natur, in Schwarz und Weiß lieferbar und können mit Garderobenhaken oder Kleiderbügel bestückt werden.

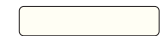
MATERIAL AND FINISH

Natural or lacquered wooden uprights, casters with brakes, powder coated aluminium bars and hooks

COLOURS FRAME



NATURAL OAK



WHITE



BLACK

COLOURS TUBES



LIGHT GREY

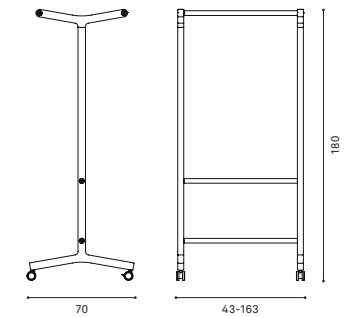


TRAFFIC WHITE



TRAFFIC BLACK

DIMENSIONS (CM)



ADDITIONAL

Matching coat hanger: Pole hanger
Coat hook: R20 coat hook

