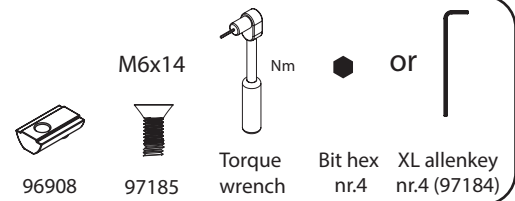


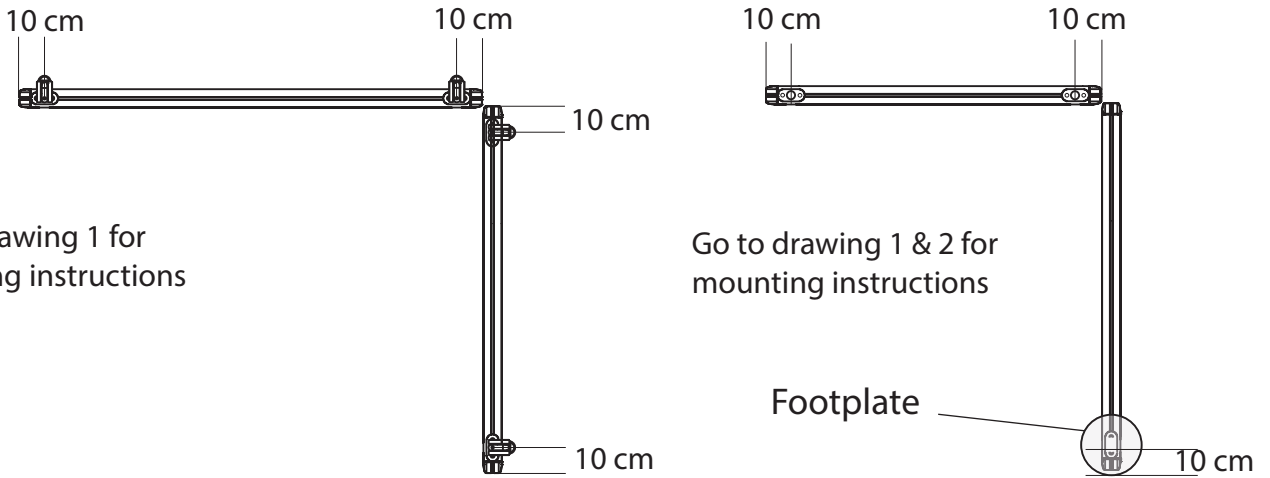
Patio base | Assembly instructions

Please select your model and use measurements accordingly
Use a torque wrench to tighten at 17 Nm and check every year!
Read safetysheet prior to building.

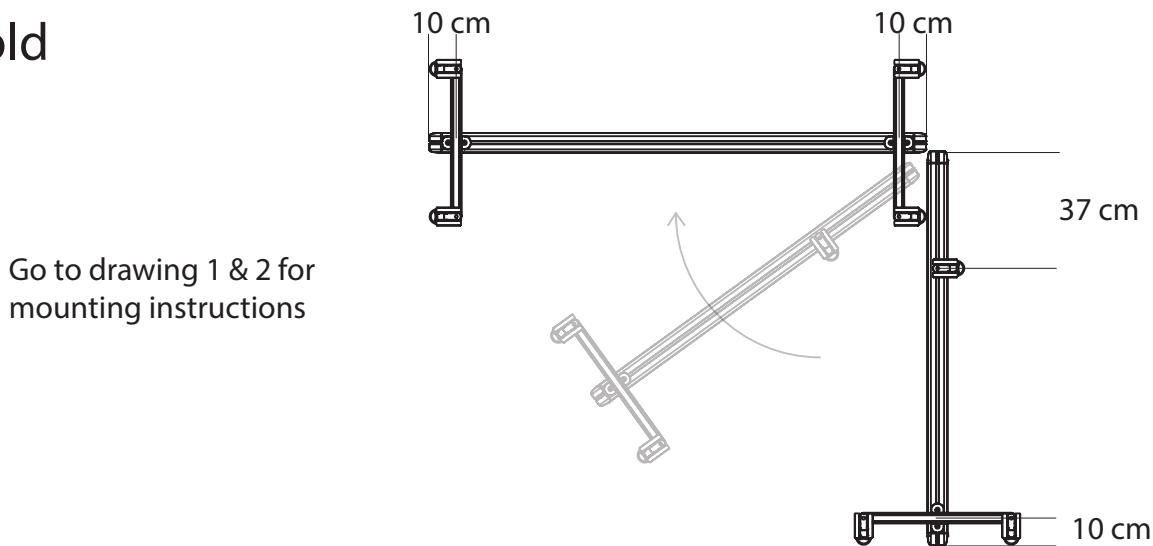


Patio L-shape

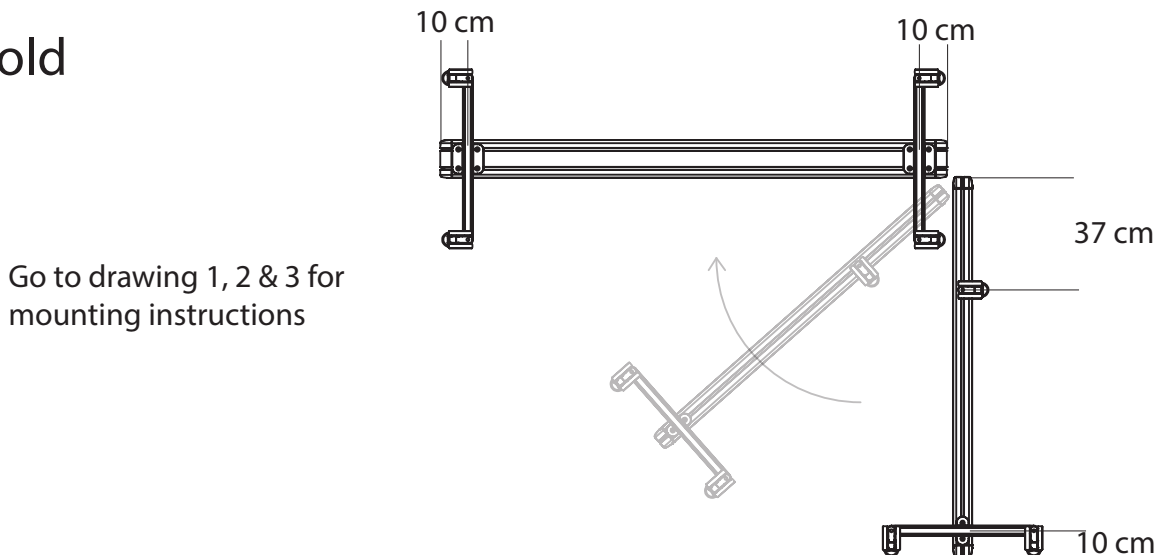
Fixed



Fold



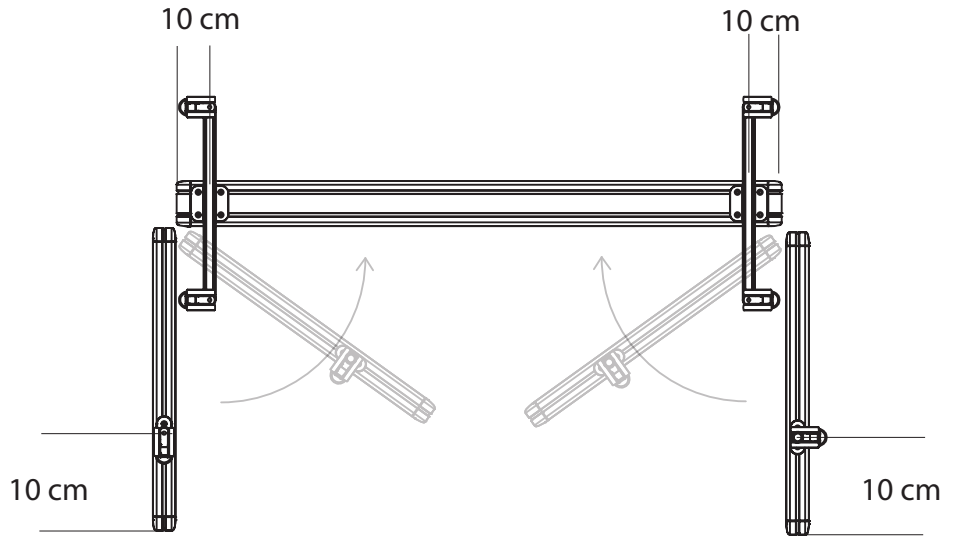
Fold



Patio U shape

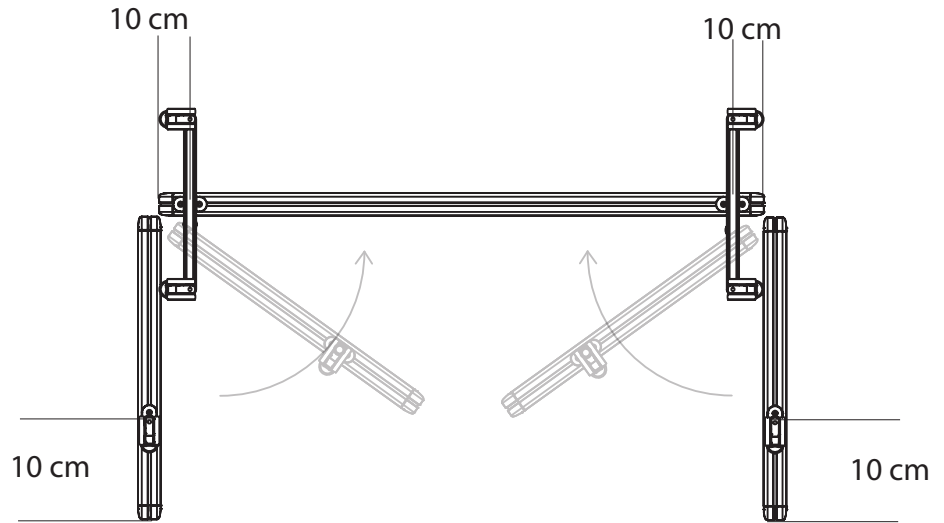
Fold

Go to drawing 1 & 3 for mounting instructions



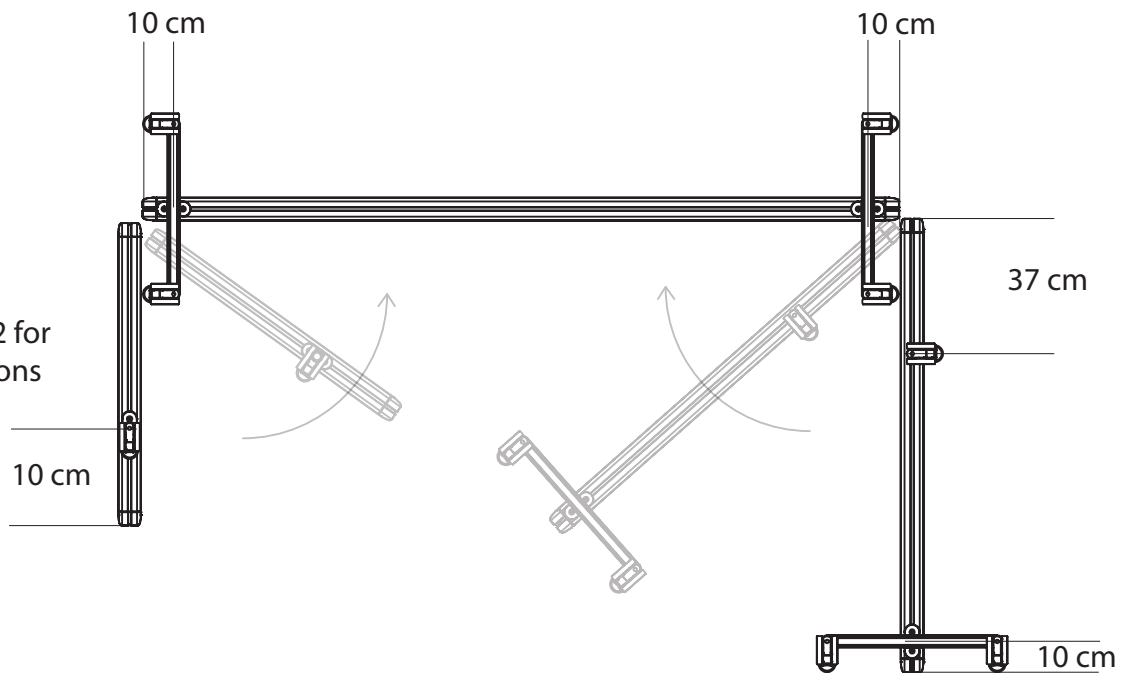
Fold

Go to drawing 1 & 2 for mounting instructions



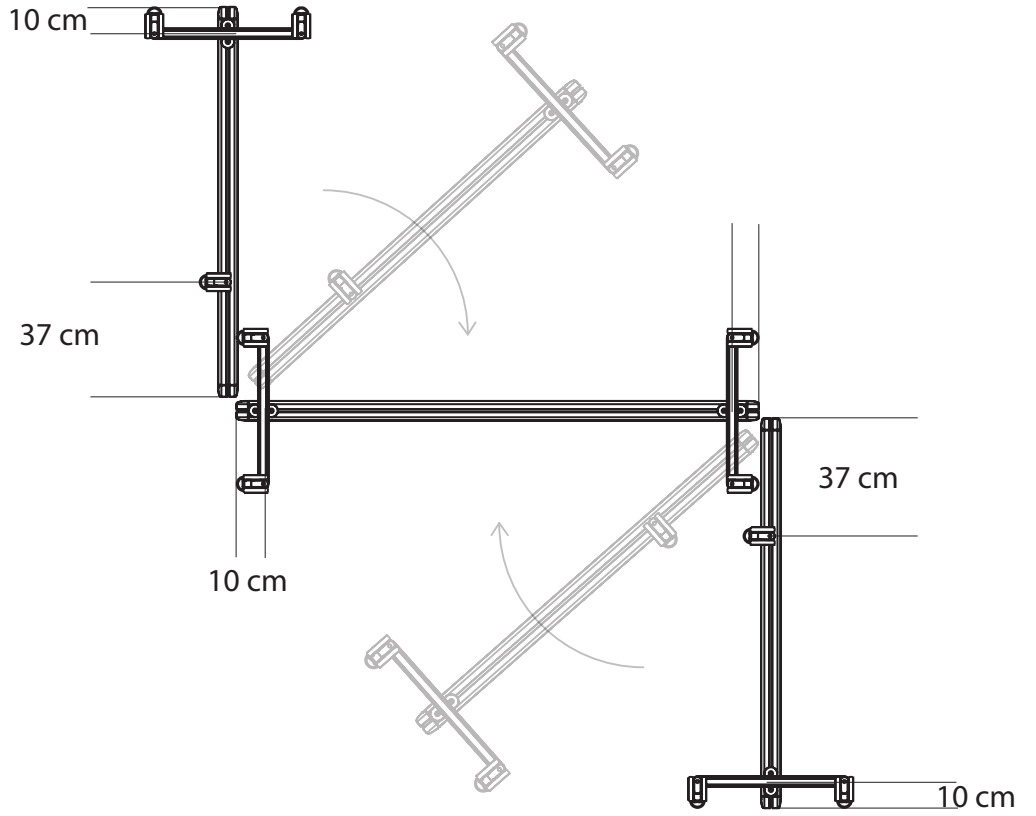
Fold

Go to drawing 1 & 2 for mounting instructions



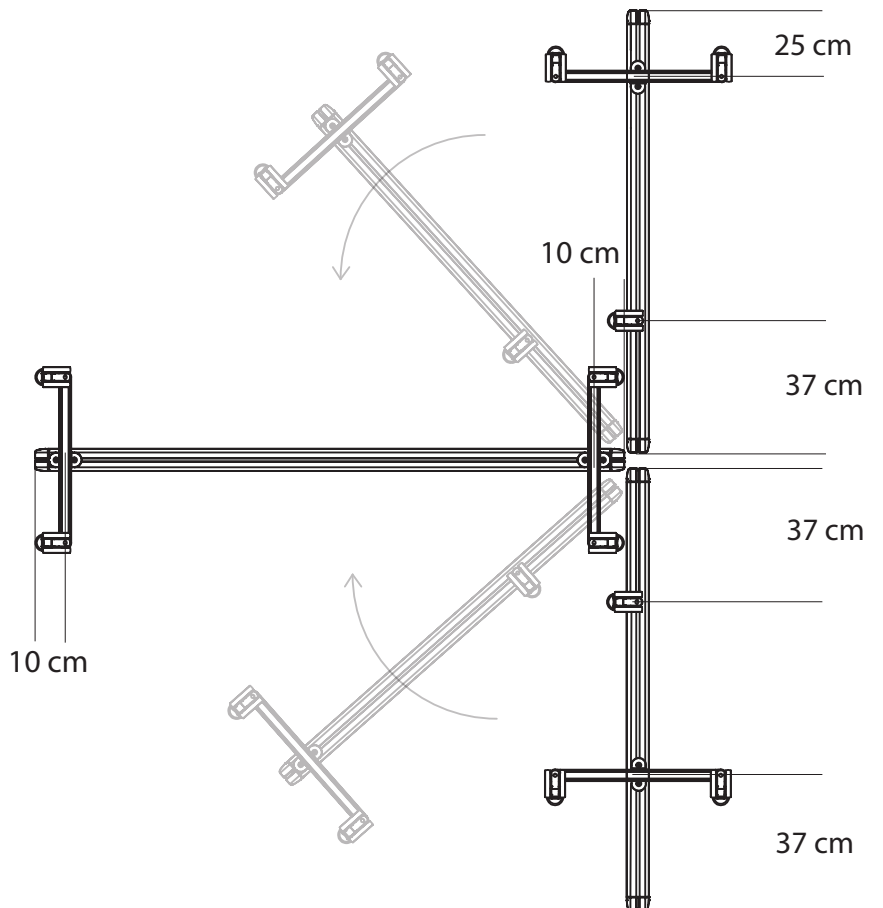
Patio Z & T shape

Fold



Go to drawing 1 & 2 for mounting instructions

Fold



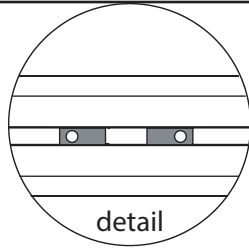
Go to drawing 1 & 2 for mounting instructions

General

Placing bolts

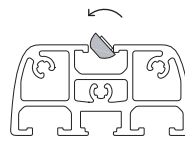


96908



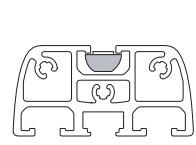
detail

Step 1



cross-section profile

Step 2

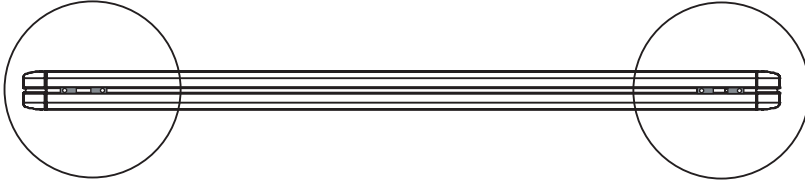


cross-section profile

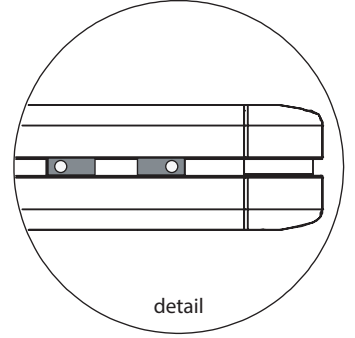
Wheels / Legs

1a Place

bottom view



4 X
96908

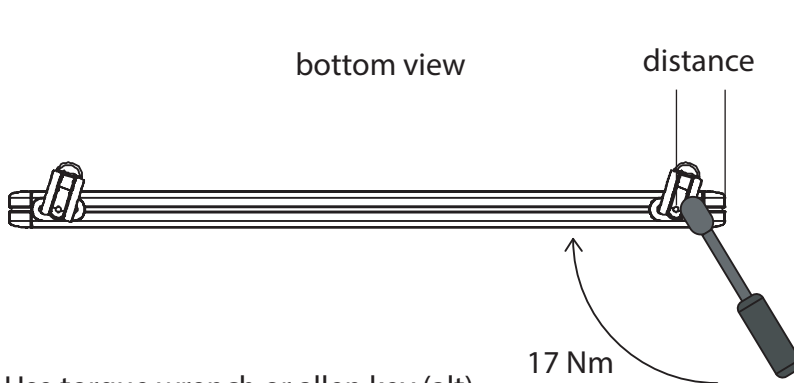


detail

1b Fasten

bottom view

distance

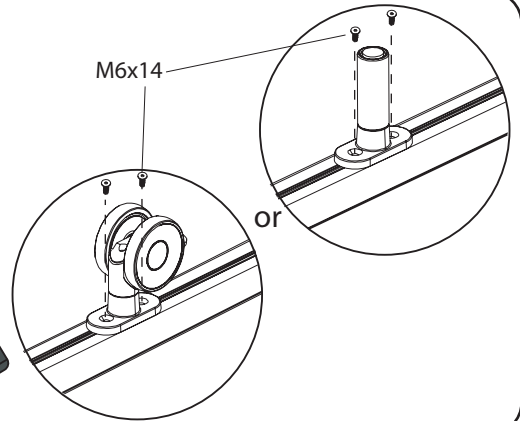


Use torque wrench or allen key (alt)

17 Nm

M6x14

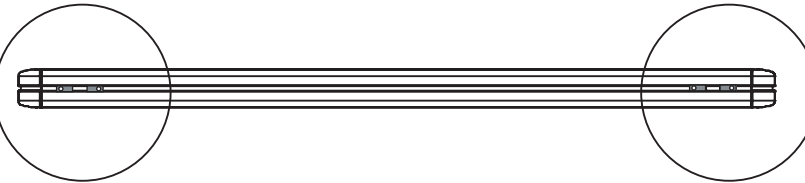
or



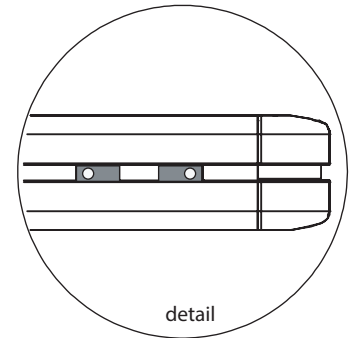
Extender / Footplate

2a Place

bottom view



4 X
96908

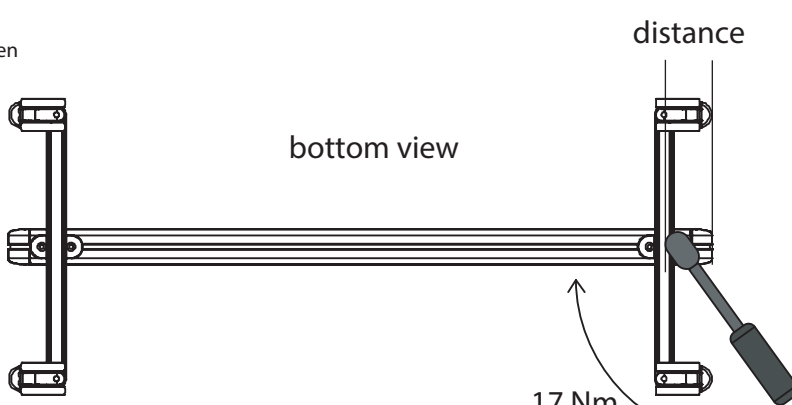


detail

2b Fasten

bottom view

distance

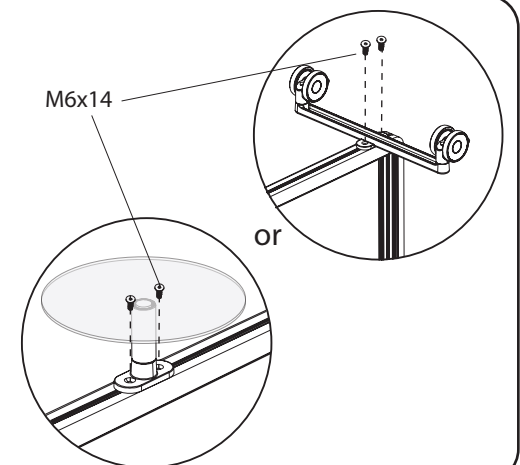


Use torque wrench or allen key (alt)

17 Nm

M6x14

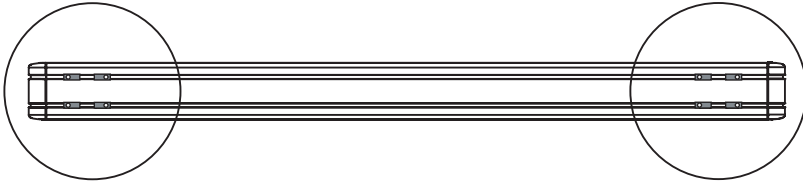
or



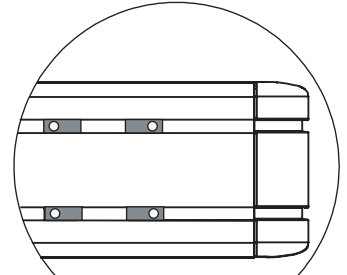
Bold Extender

3a Place

bottom view



8 X
96908

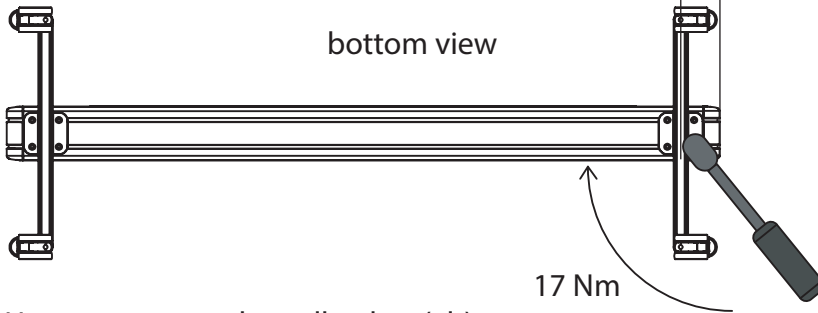


detail

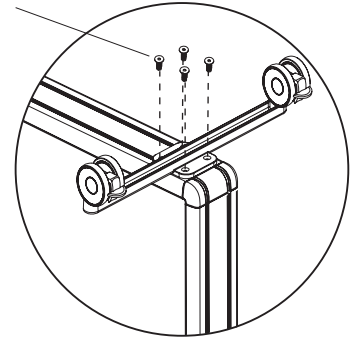
3b Fasten

distance

bottom view



M6x14



Use torque wrench or allen key (alt)

4

Maintenance

Remember to double check the bolts once every year !
This is a regular maintenance and safety procedure !

Enjoy your Patio !