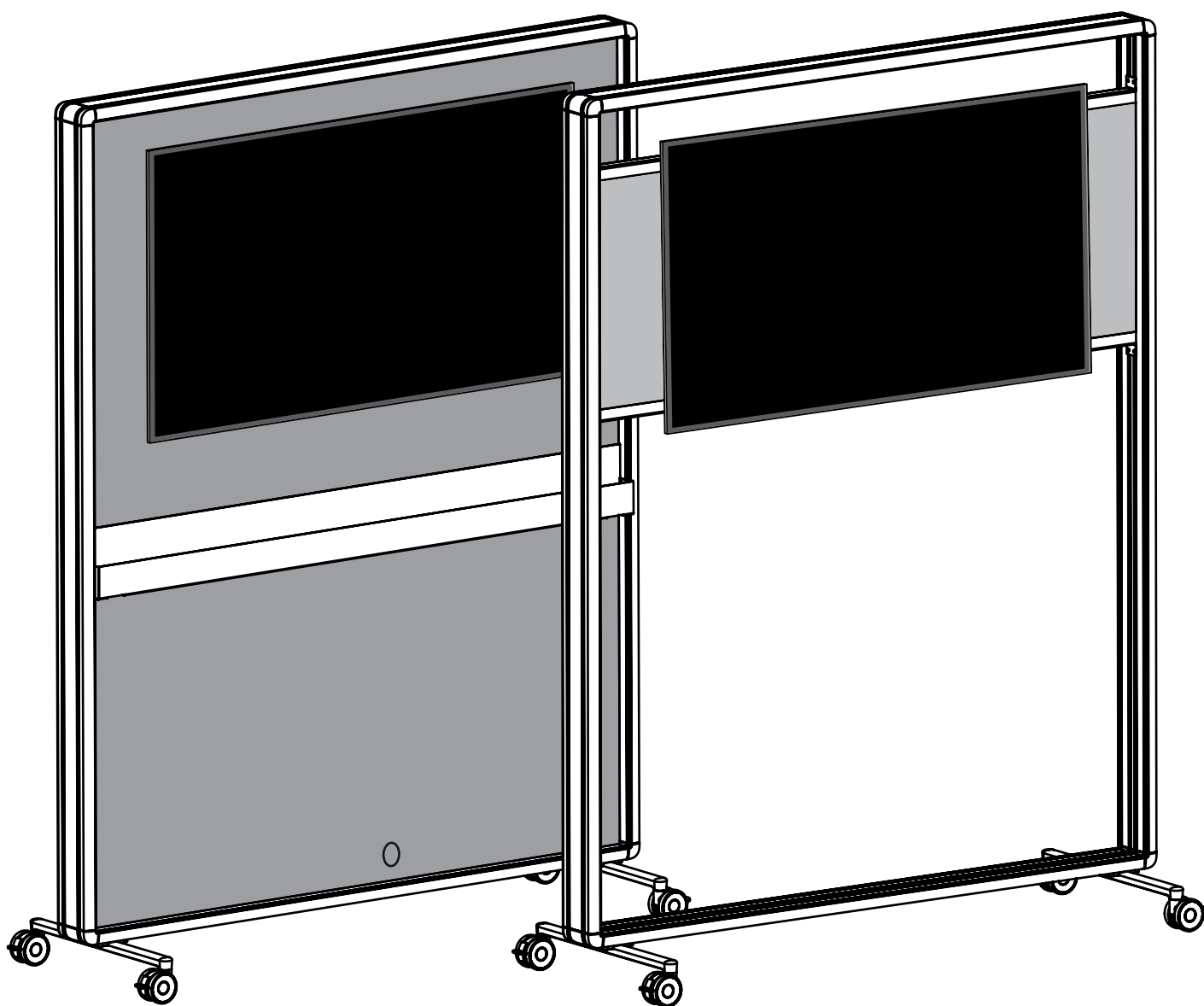


PATIO |

SCREEN MOUNTING INSTRUCTION



Disclaimer.

Cascado cannot be held accountable for any damage to a Screen resulting from the opening, closing, or mounting process. These instructions serve as guidelines and cover only the basics. Mounting methods may vary among different Screen brands and models.

It is essential to take note of the display depth indicated on this page when setting up a Patio fold. Users should exercise caution and carefully follow all instructions provided.

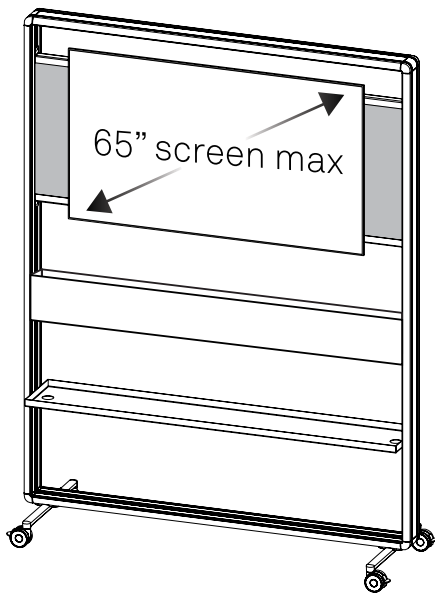
Configurations

* Note: Shelves can vary in shape and form depending on the chosen options. See the price list for all options.

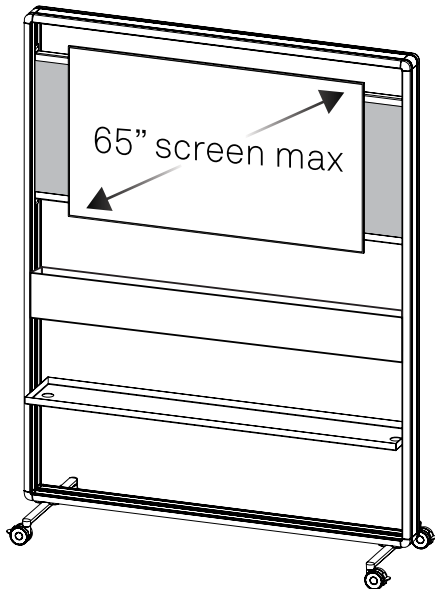
Maximum weight screen 46 kg

Open frame

120 cm

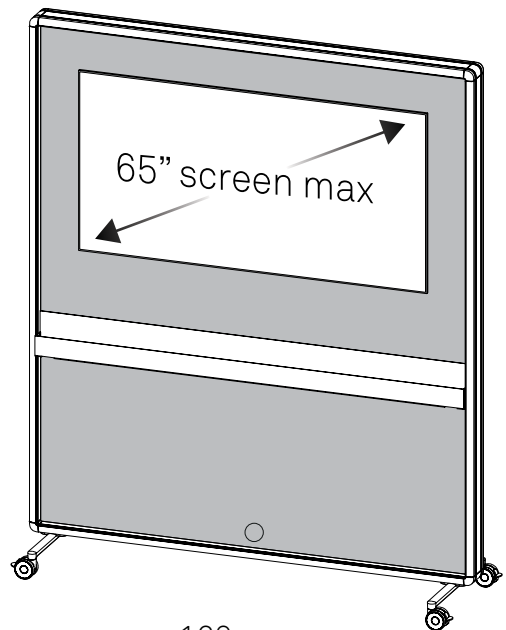


160 cm

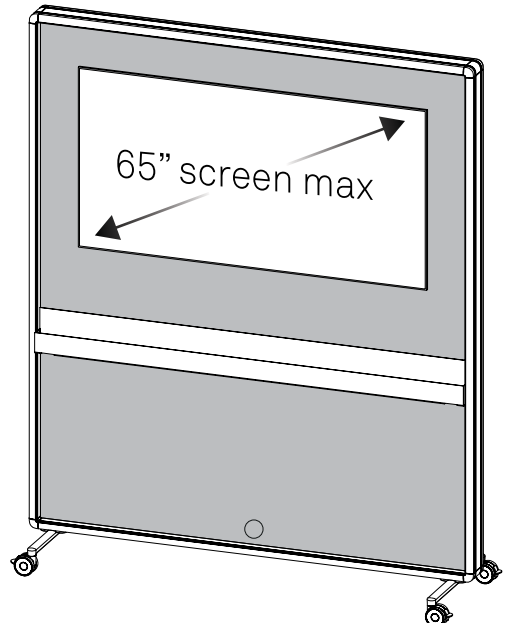


Closed frame

120 cm



160 cm



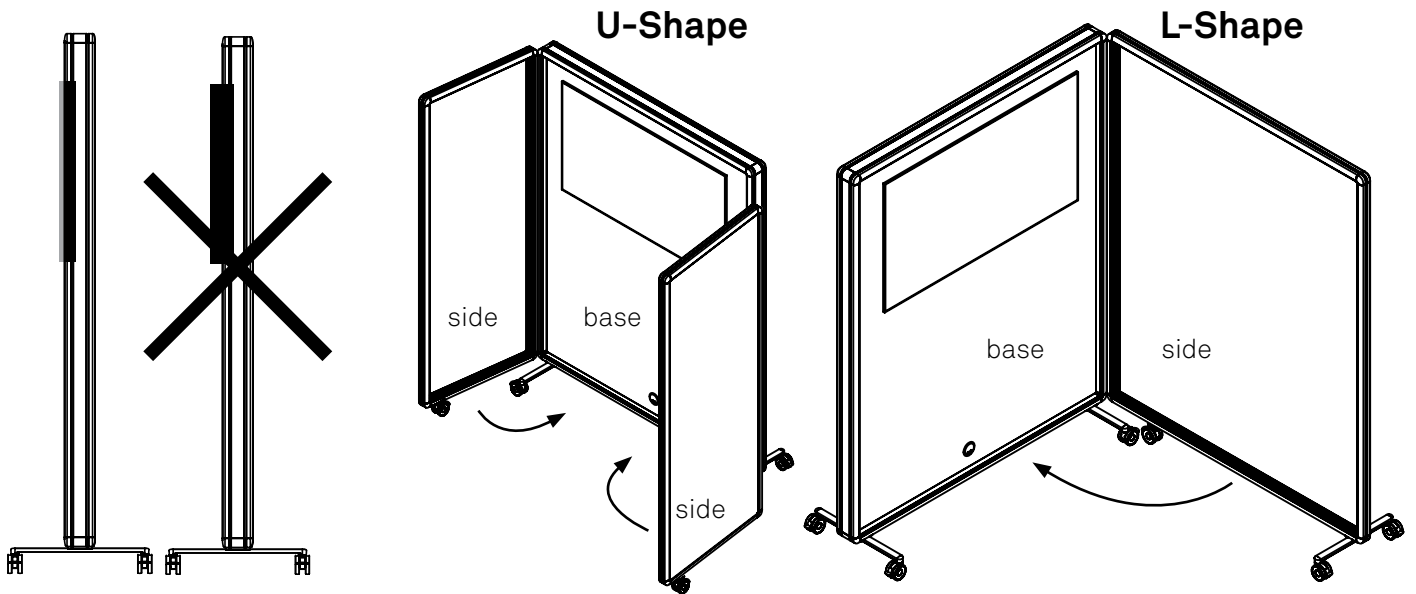
Screen dimensions

Be aware of the following situation with Patio Bold in a fold configuration:

Maximum screen thickness

	Side	+	Base	+	Side frame	=	
U shape:	80	+	160 B	+	80	=	4,5 cm
L Shape:	160	+	160 B			=	6,5 cm
L Shape:	120	+	120 B			=	6,5 cm

To prevent the screen from touching the other Patio frame when folded, we suggest the use of an LG OLED Screen with a gallery design. This model has a supplied flat mount.



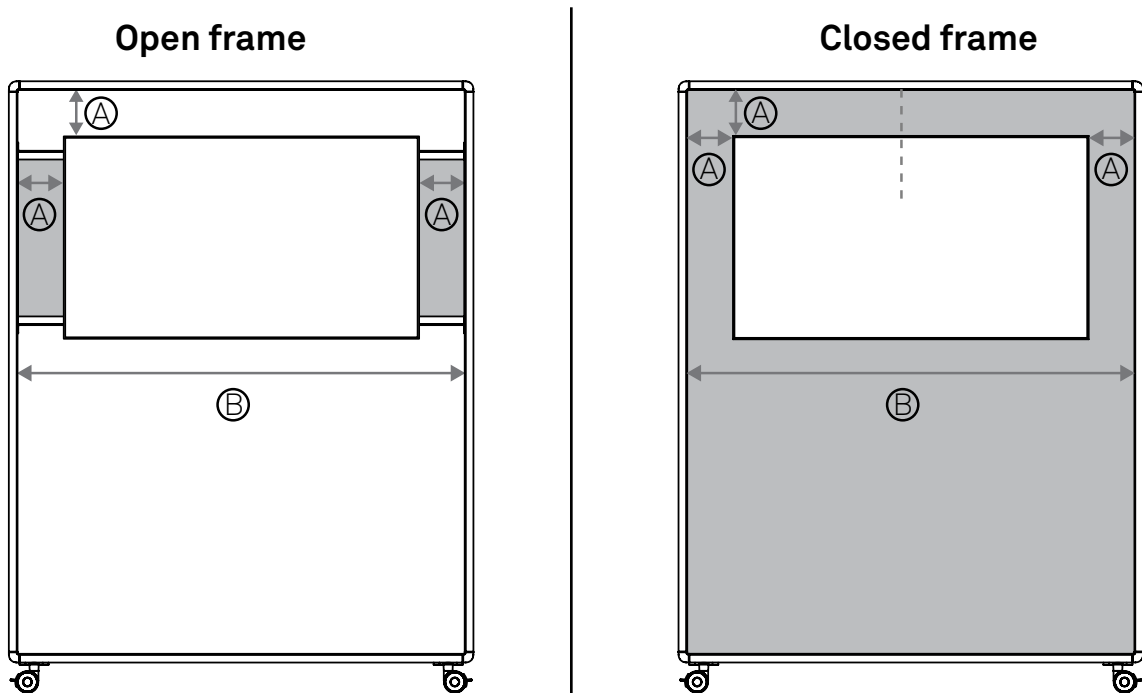
Screen Positioning

We recommend, from an aesthetic point of view, maintaining equal distances between the screen and the Patio frame.

A = equal distance to each other.

Patio bold 120: B = internal width = 114 cm

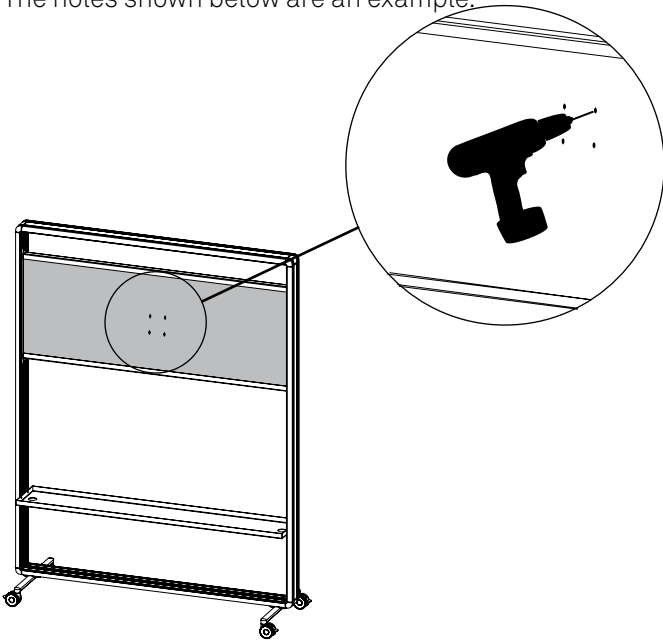
Patio bold 160: B = internal width = 154 cm



Drilling instructions

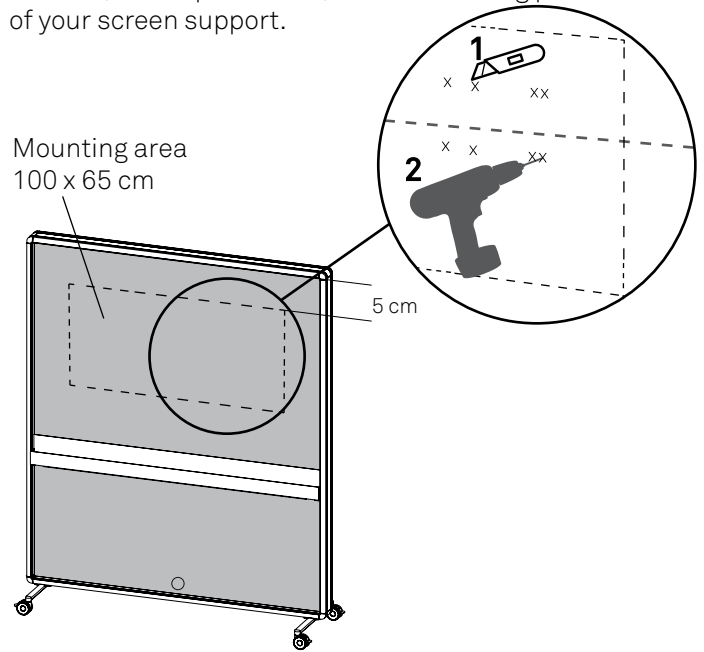
Open frame

Pre-drill holes with a depth of 15 mm. The diameter depends on the screws being used. The holes shown below are an example.

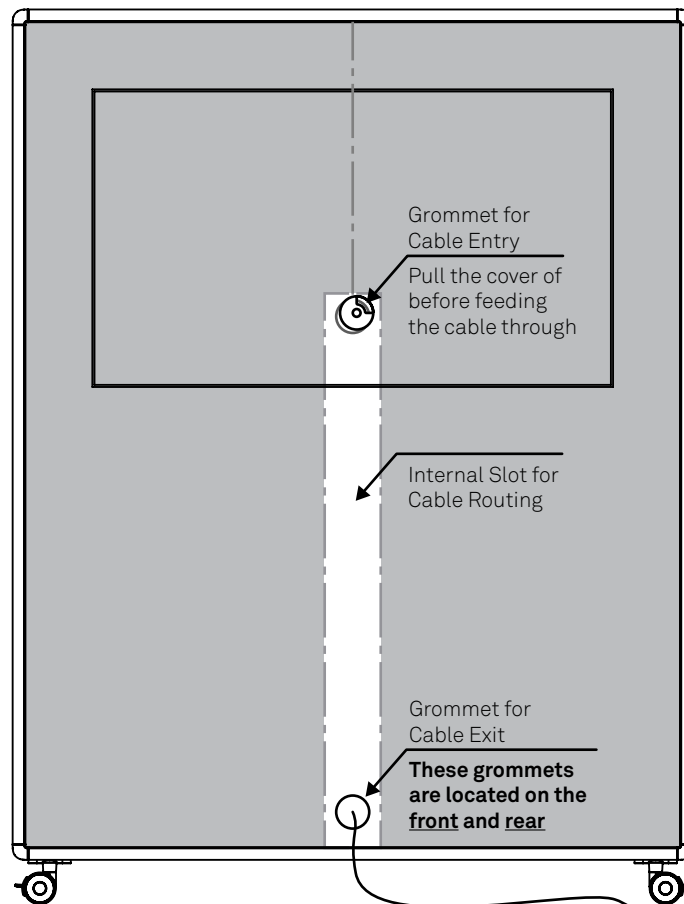


Closed frame

Prior to drilling, cut crosswise approximately 1x1 cm (max depth 15 mm) at the mounting points of your screen support.



Cable routing closed frame



Be aware of the cable while relocating or moving your Patio.

