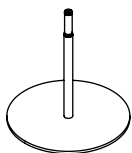


Bond laptop table

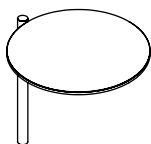
Tables

Assembly instruction

Design Peter van de Water

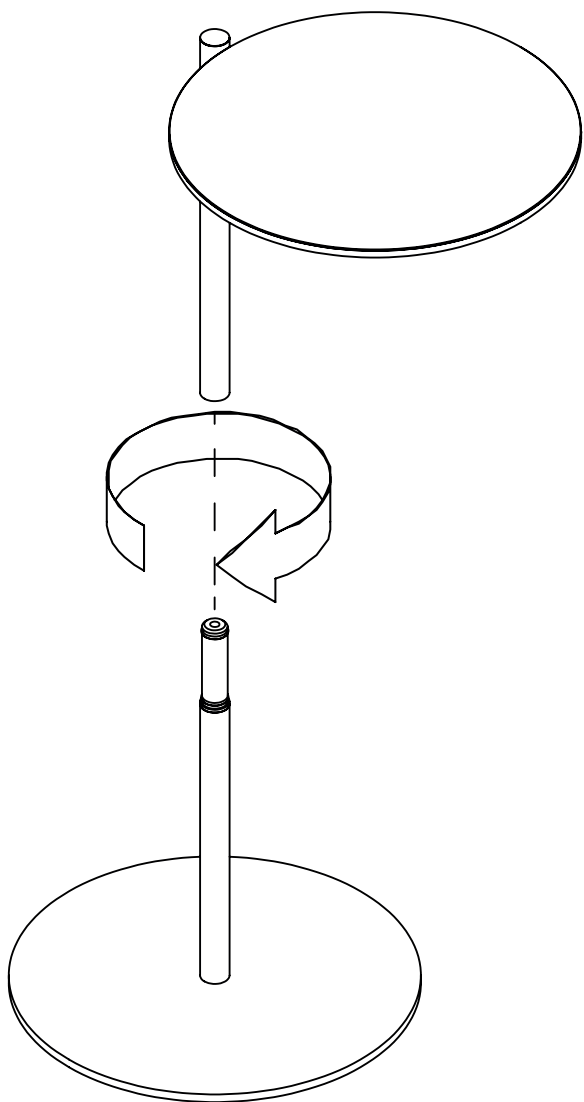


1x



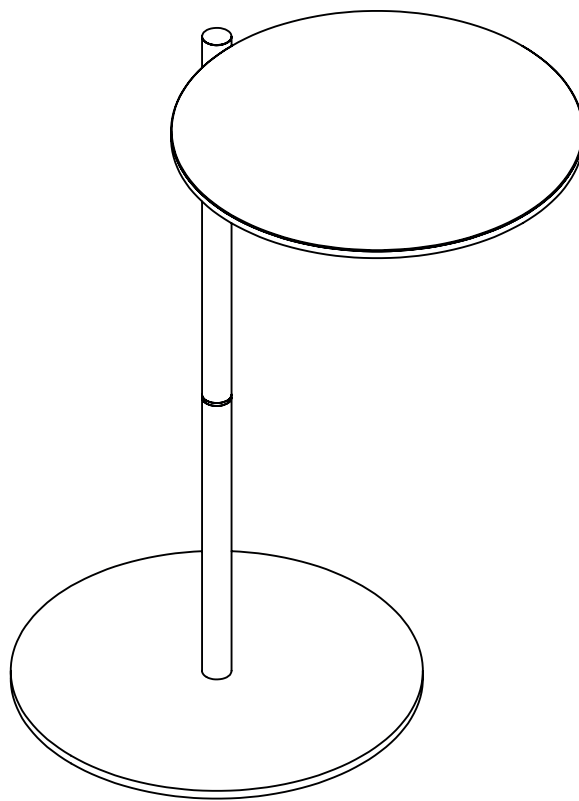
1x

1



Place table with rotating movement.

2

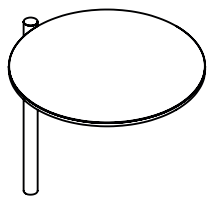


Bond Add-on table

Seatings

Assembly instruction

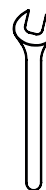
Design Peter van de Water



These parts are in a separate package

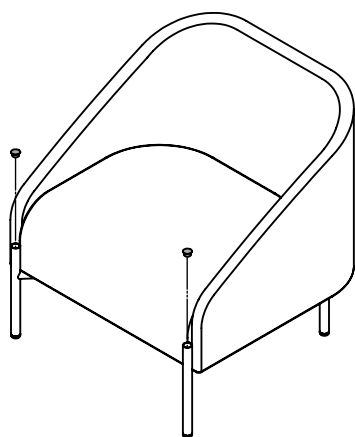


2x



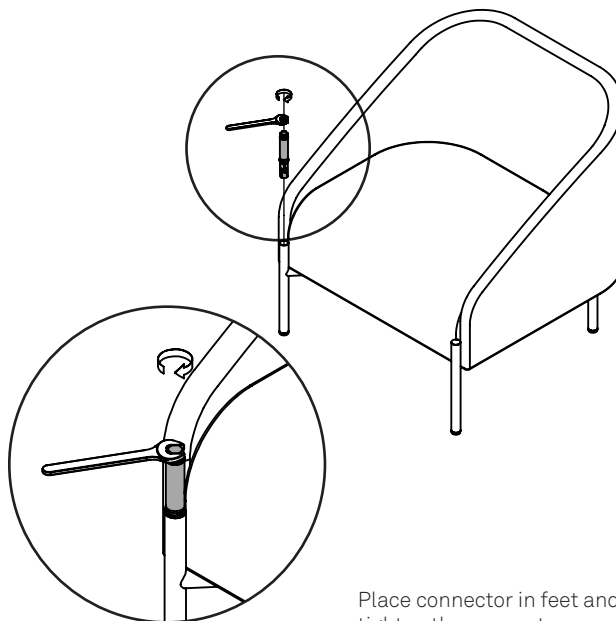
wrange 17
not included

1



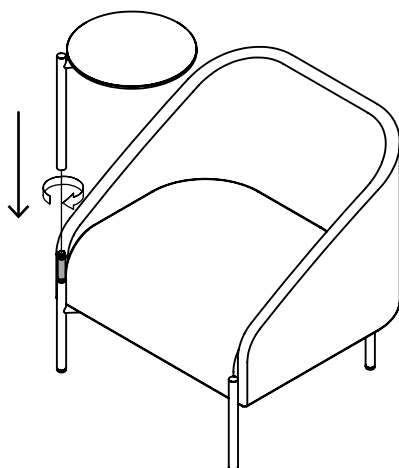
If necessary remove cap or add caps on open feet.

2



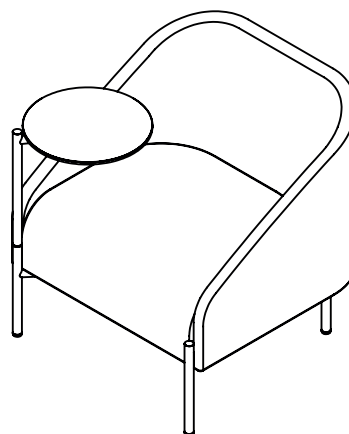
Place connector in feet and
tighten the connector.

3



Place table with rotating movement.

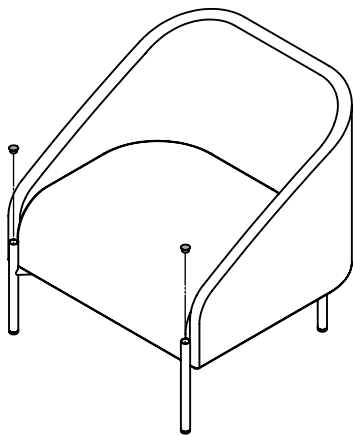
4





2x

1



When there is no table added place caps on open feet.

2

