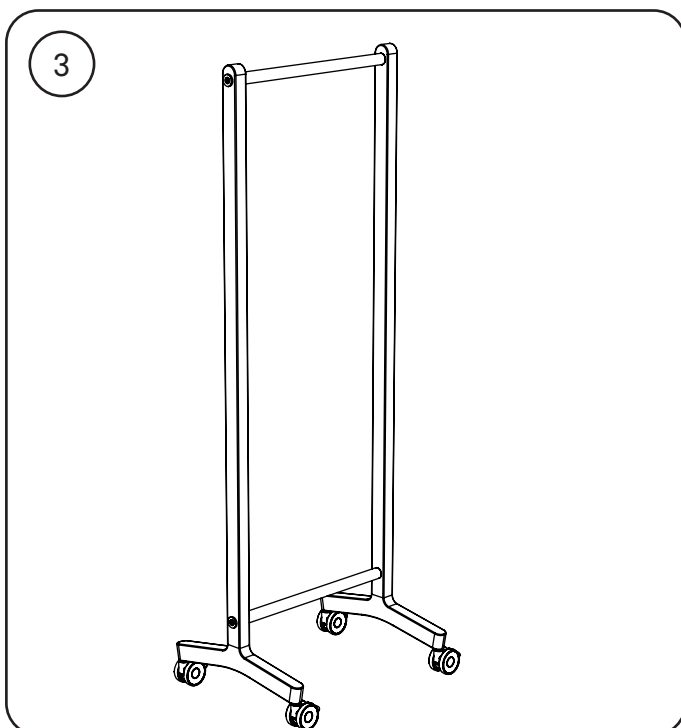
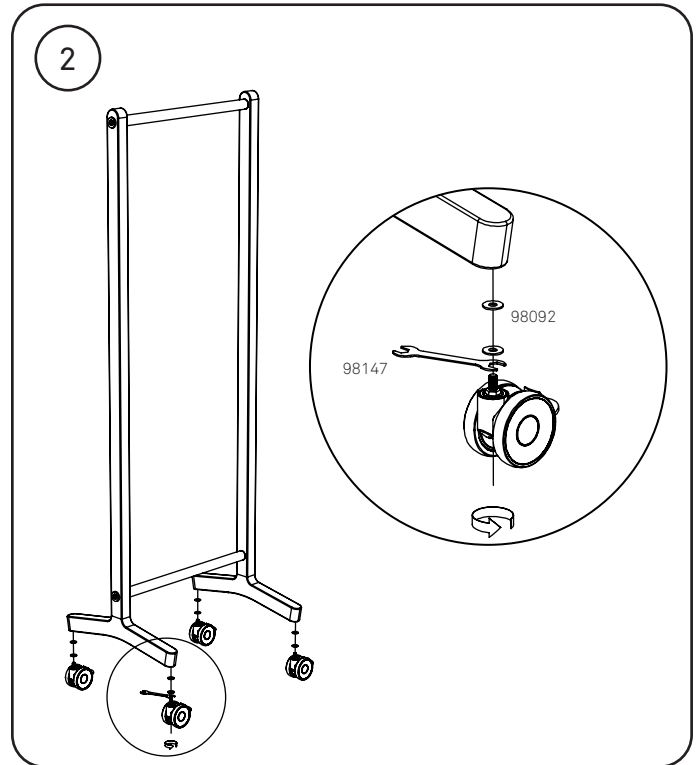
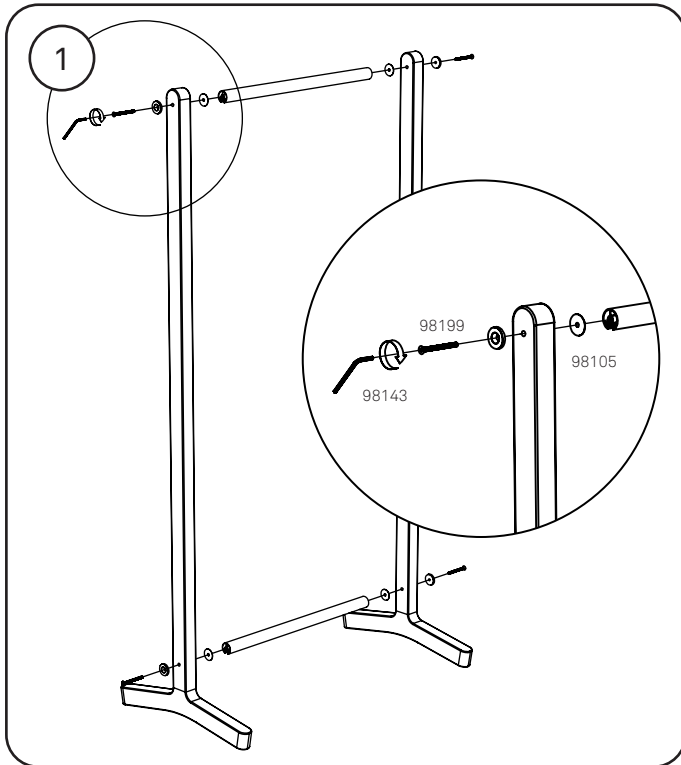
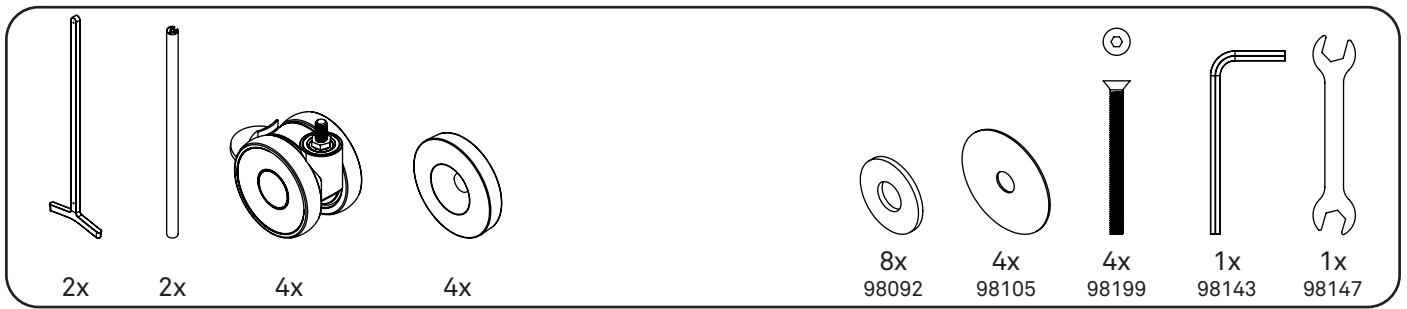


Round 20 Single

Coatrack

Assembly instruction

Design Robert Bronwasser

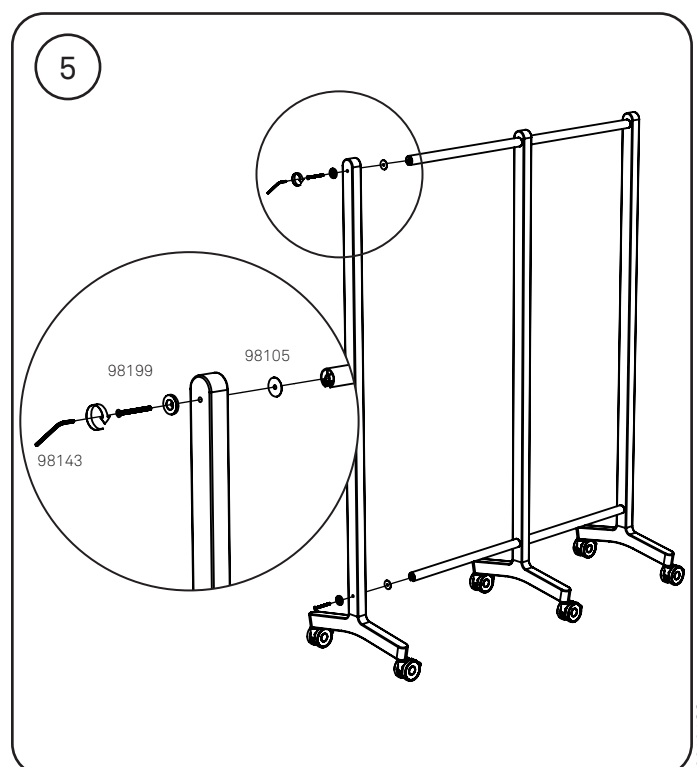
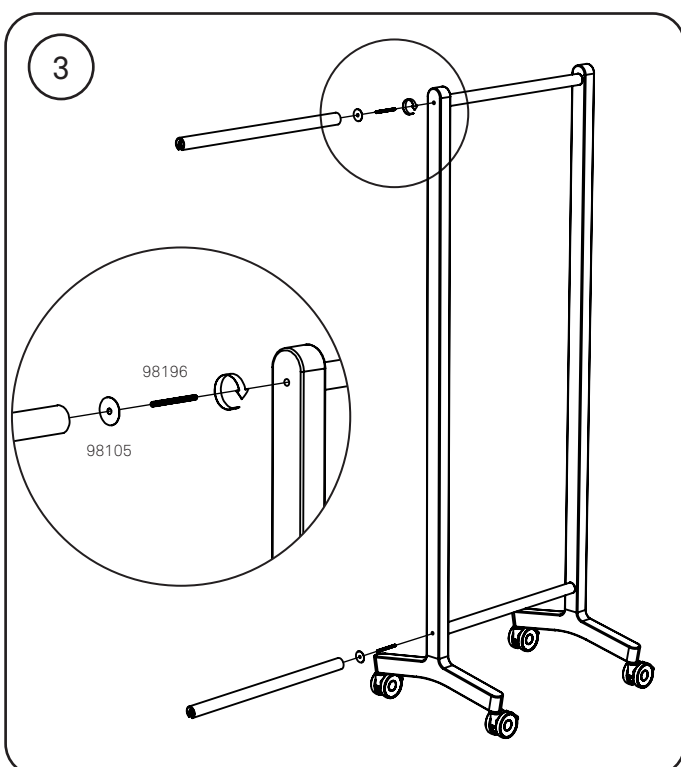
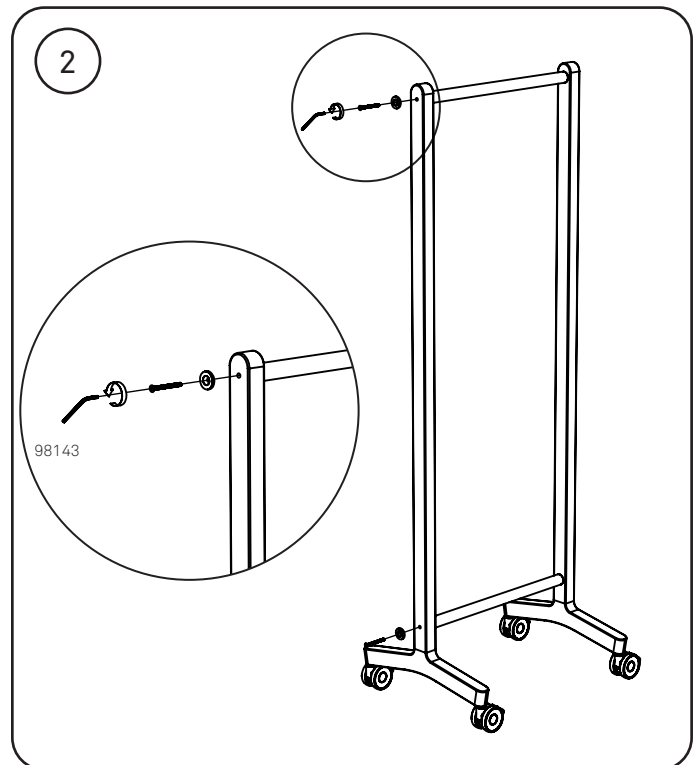
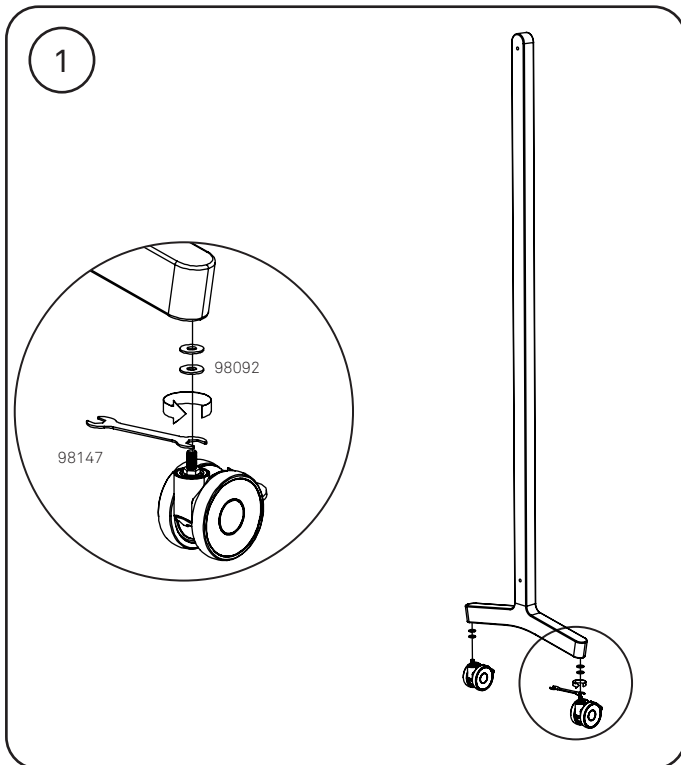
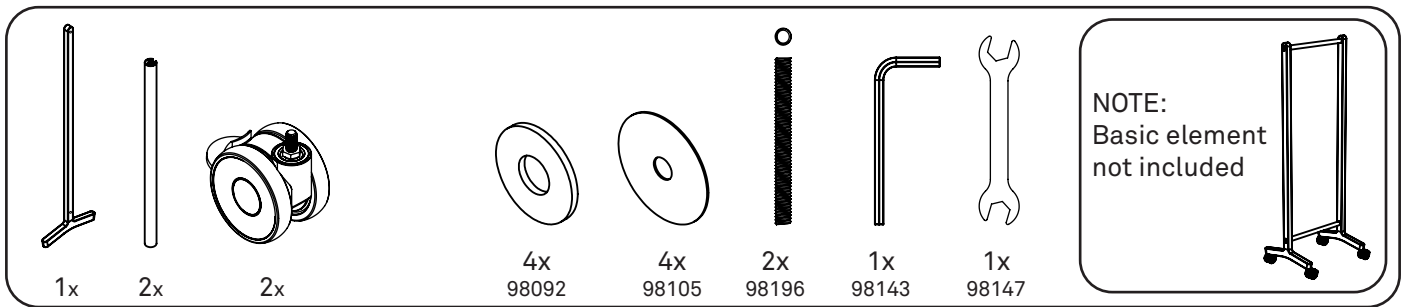


Round 20 Single

Coatrack - Expansion

Assembly instruction

Design Robbert Bronwasser



6

