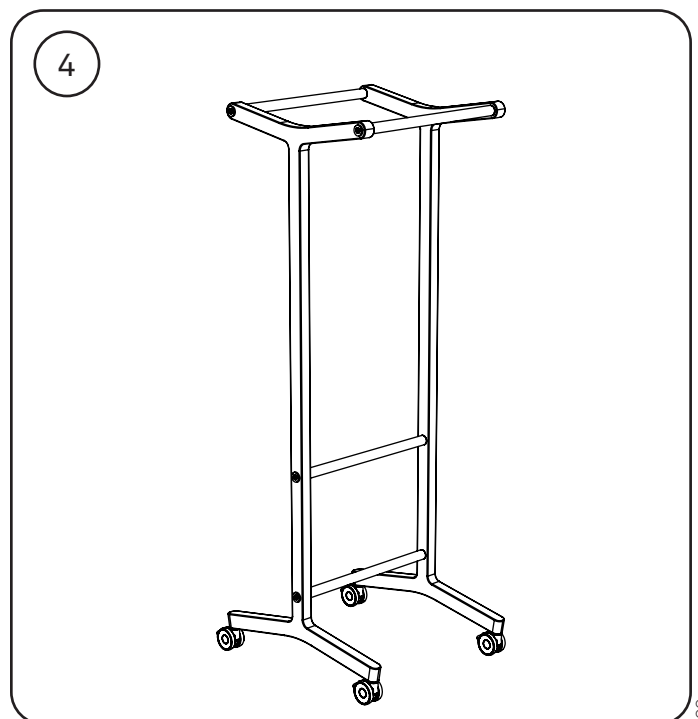
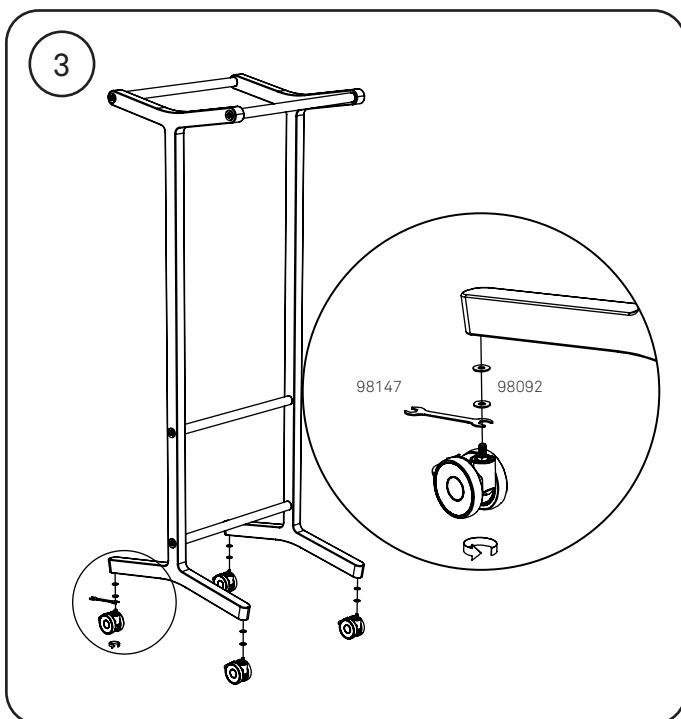
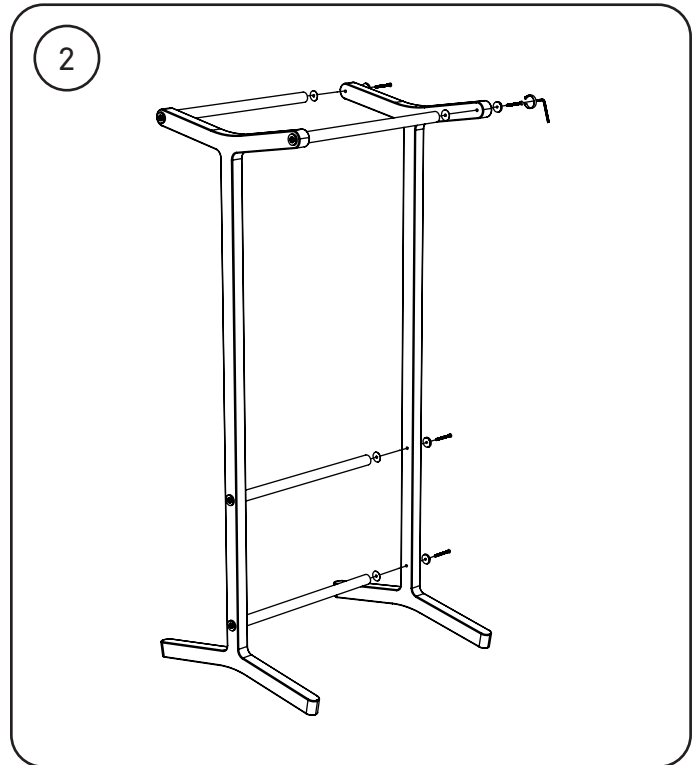
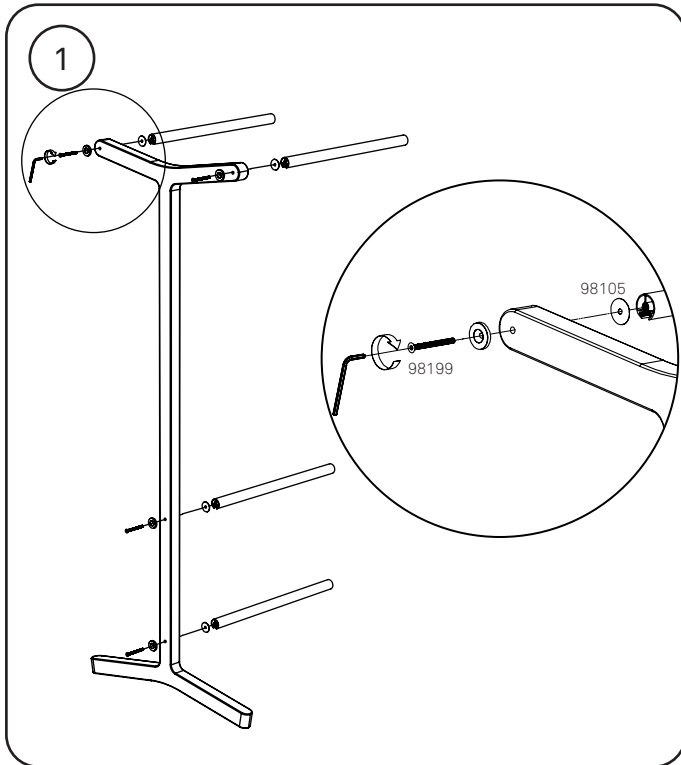
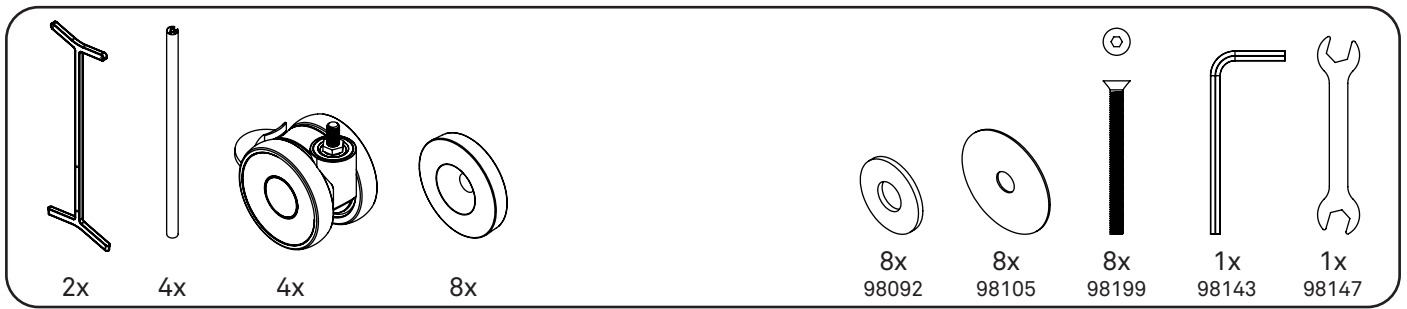


Round 20 Double

Coatrack

Assembly instruction

Design Robert Bronwasser



Round 20 Double

Coatrack

Assembly instruction

Design Robert Bronwasser

