

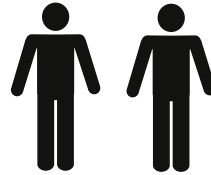
PATIO | SINGLE & CONNECT

WHEEL & FOOT BASE ASSEMBLY INSTRUCTIONS



Cascando®

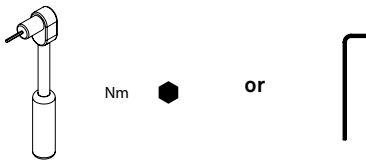
Index



NOTE! Always mount with at least 2 persons !
NOTE! Read safety sheet prior to building !

1 Tools & parts

Tools

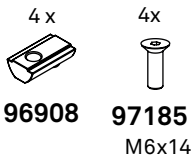


(preferred) **Bit Hex** **Nm** **or** **XL Allenkey Nr.4 (97184)**
Torque wrench nr.4

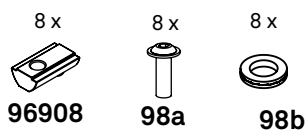
NOTE! Tighten the bolts to 17 Nm, preferably using a torque wrench

Fixing materials

Standard frame



Bold frame



Base part configurations

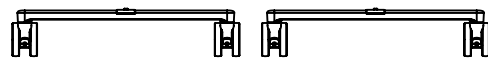
Wheels



Wheel and wheel extender



Wheel extenders



Wheel extenders for bold frame



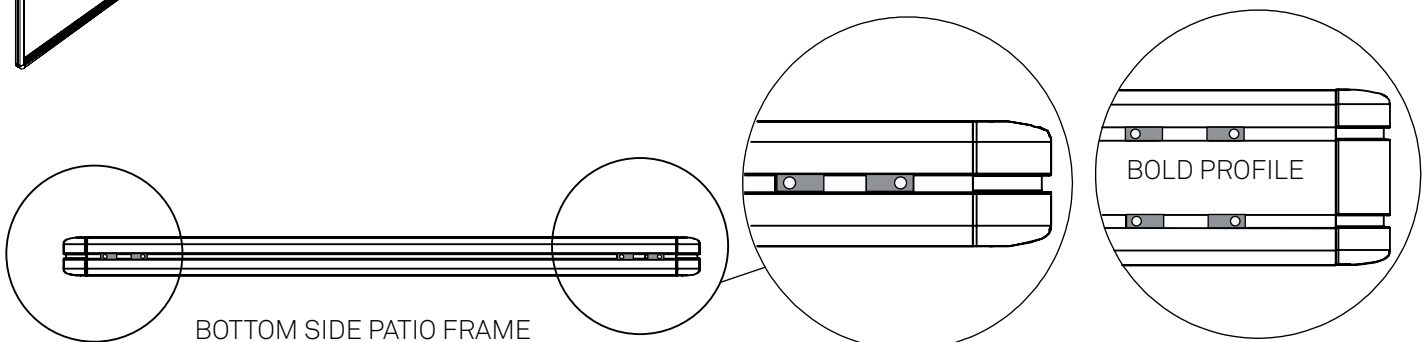
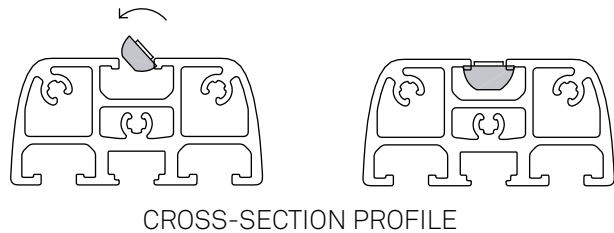
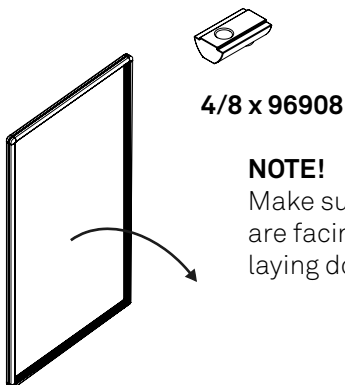
Feet



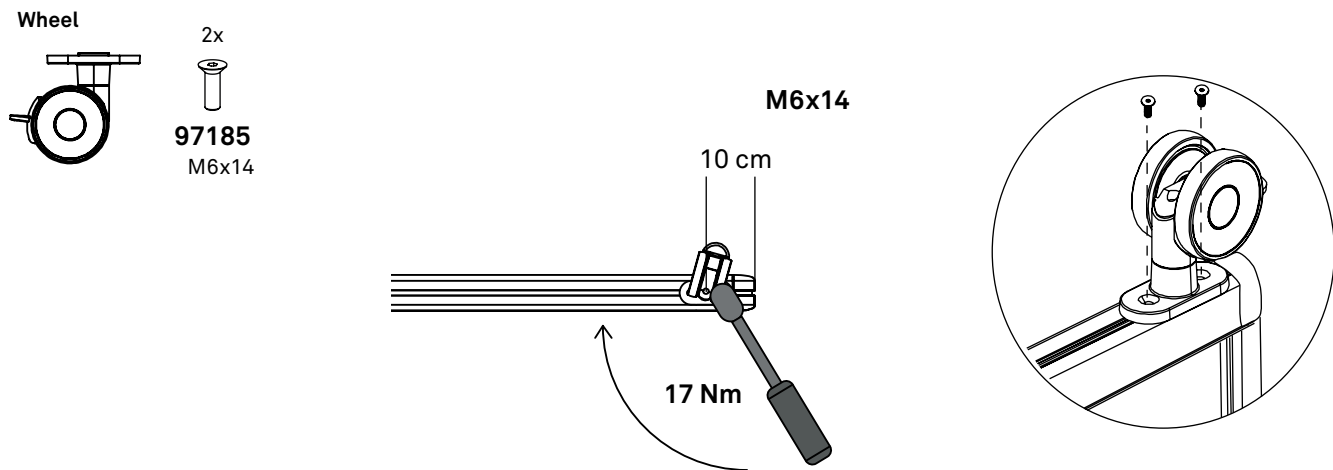
Feet and foodplate



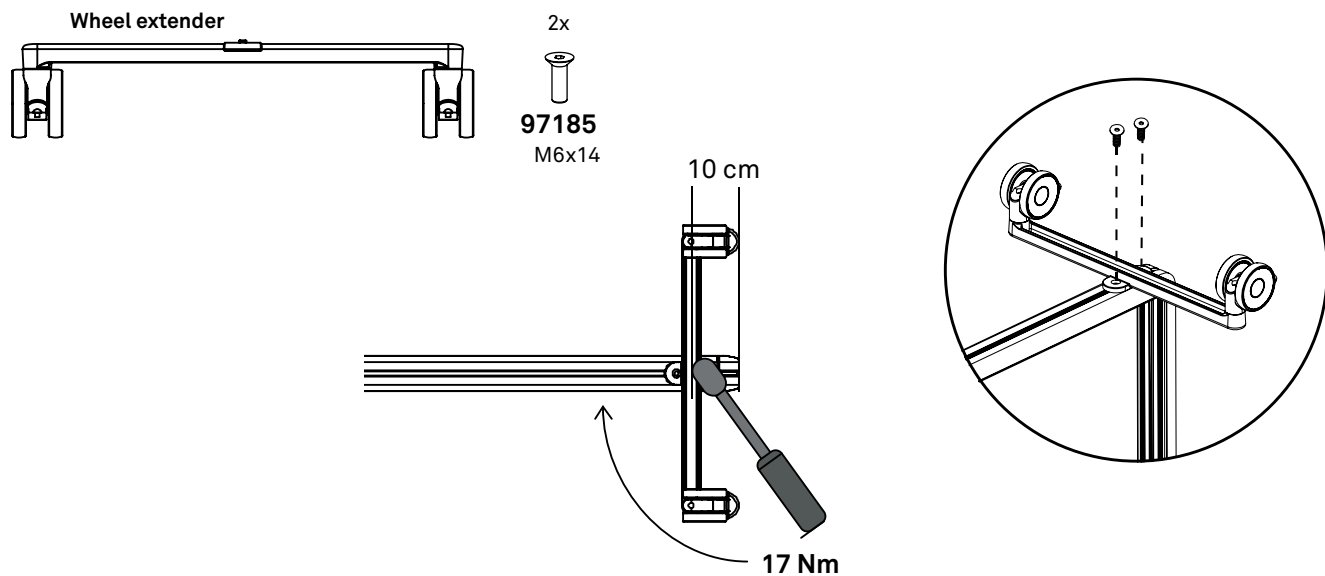
2 Placing nuts



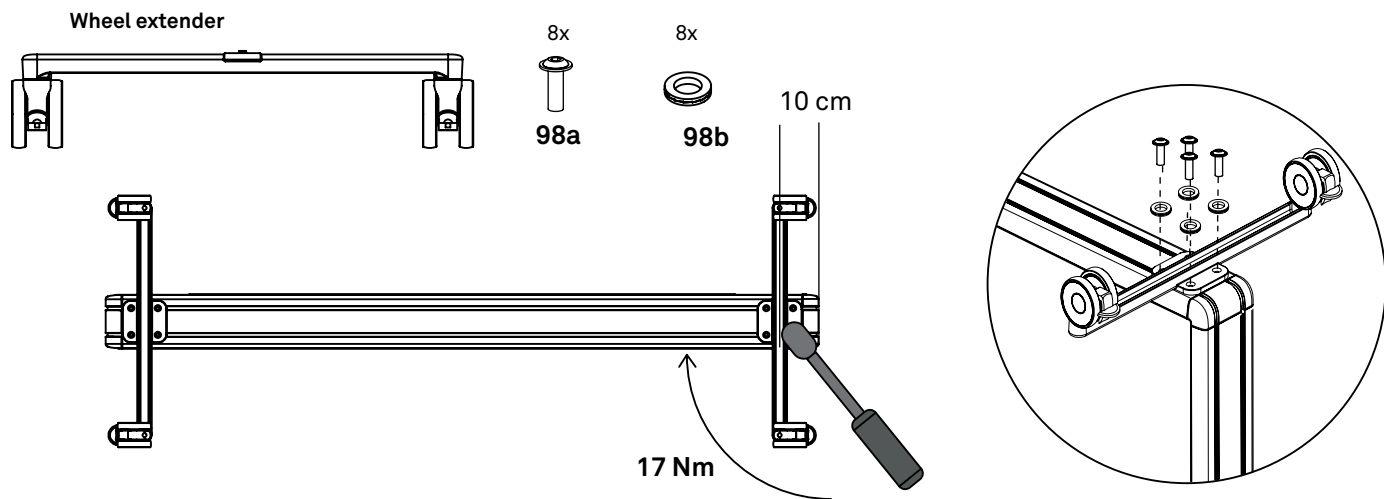
3A Mounting wheels



3B Mounting wheel extender



3C Mounting wheel extender bold



4A Mounting foot

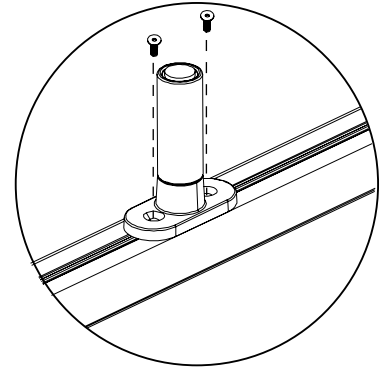
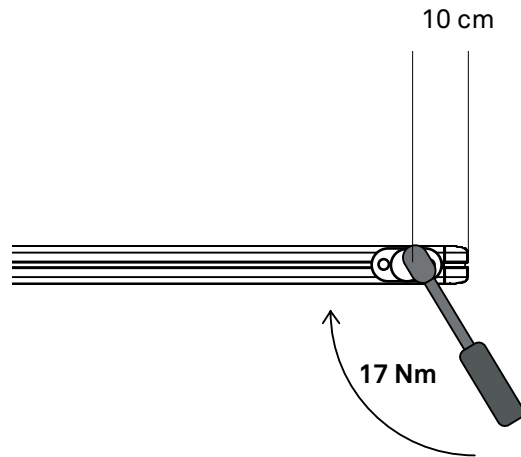
Foot



2x

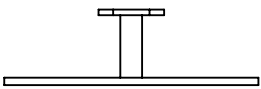


97185
M6x14



1B Mounting footplate

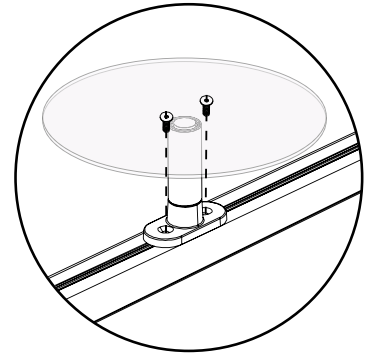
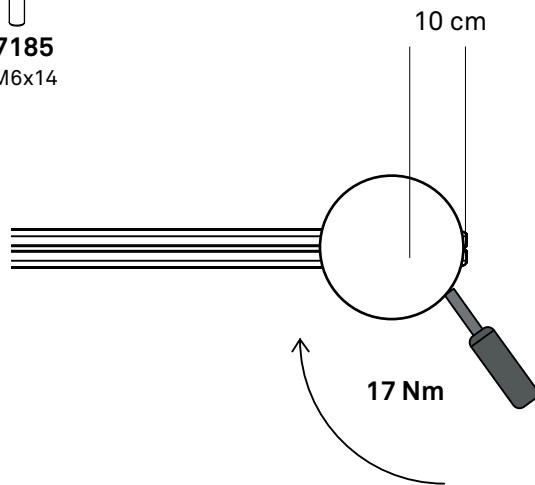
Footplate



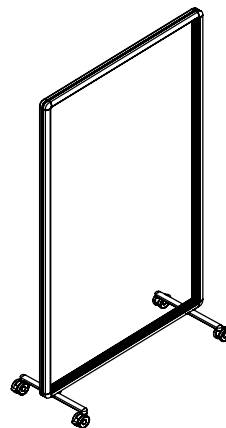
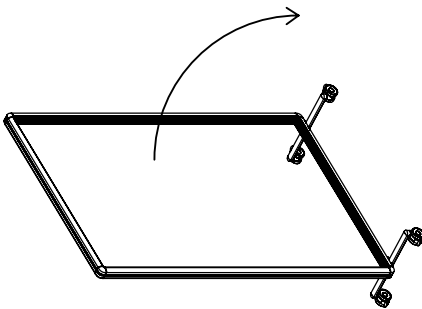
2x



97185
M6x14



1A Result



PATIO | CONNECT

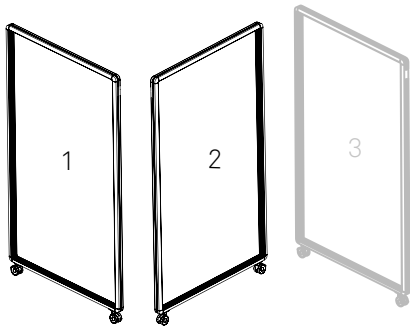
CORNER CONNECTOR ASSEMBLY INSTRUCTION





Cascando®

Patio Connect



Content of package



For L- shape

| | M6x14 |  |  |
|-------|-----------|---|---|
| | 8x | 2x | 8x |
| black | 97188 | 98921 B | 96908 |
| White | 97185 | 98921 GW | 96908 |

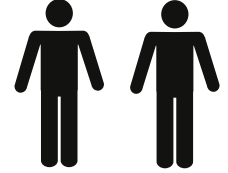
For Z, U, T - shape

| | M6x14 |  |  |
|-------|------------|---|---|
| | 16x | 4x | 16x |
| Black | 97188 | 98921 B | 96908 |
| White | 97185 | 98921 GW | 96908 |

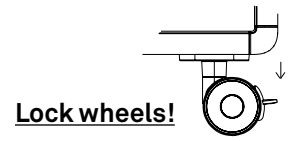
Tools and support



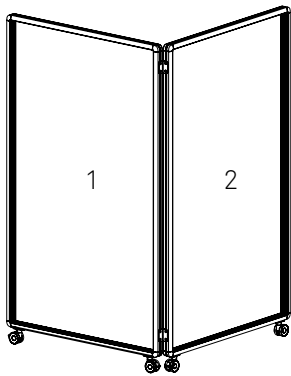
Torque wrench
Bit hex nr.4
XL allenkey nr.4 (97184)



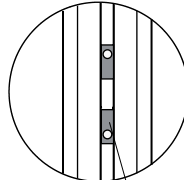
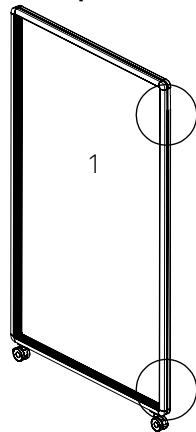
Before starting the assembly, first mount wheels, extenders and/or feet. (See base manual). Make sure to **lock all wheels** before the next steps !!
Read safety sheet prior to building.



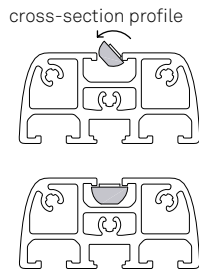
For Z,U, T- shape start building L- Shape below



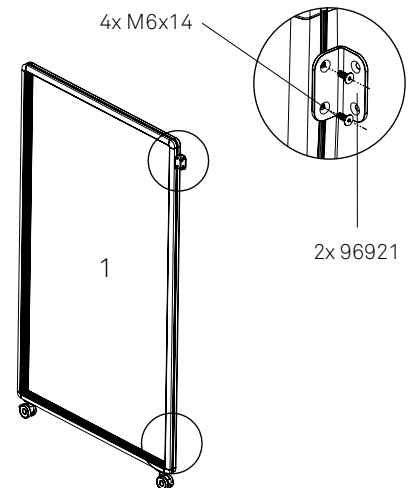
1 Insert
Repeat this for all the panels



4x 96908



2 Fasten

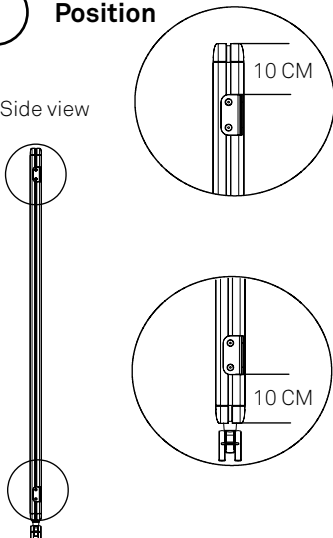


4x M6x14

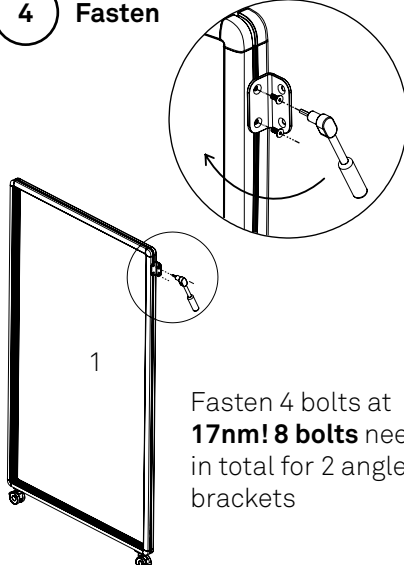
2x 96921

3 Position

Side view

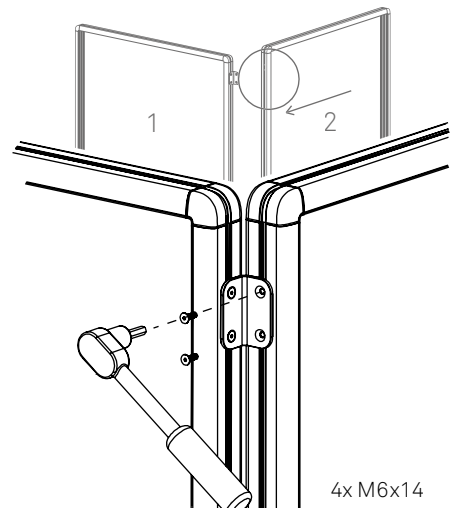


4 Fasten



Fasten 4 bolts at **17nm! 8 bolts** needed in total for 2 angled brackets

Repeat the step on the left side to mount the second panel



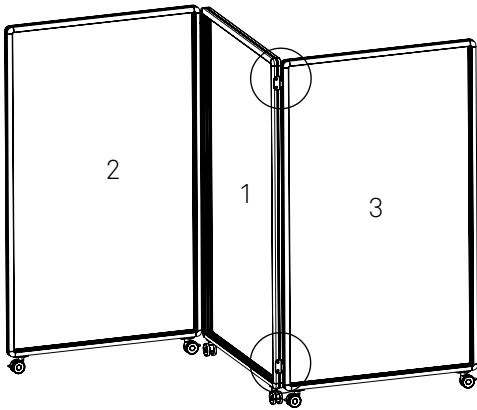
4x M6x14

5

add

For Z-shape

repeat step 1 to 4 on page 2

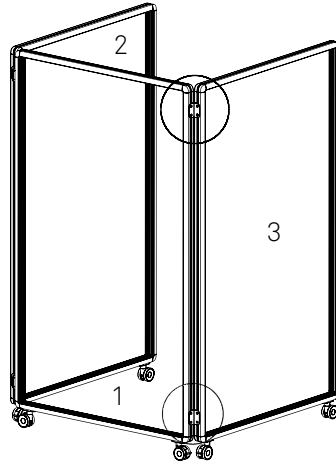


6

add

For U-shape

repeat step 1 to 4 on page 2

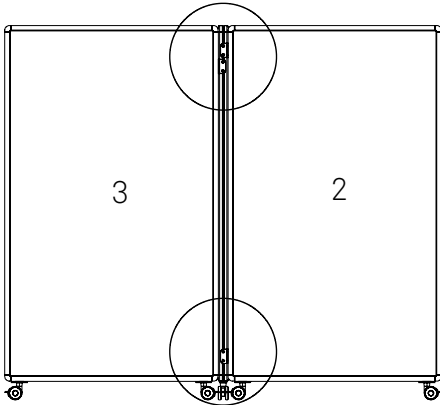


7

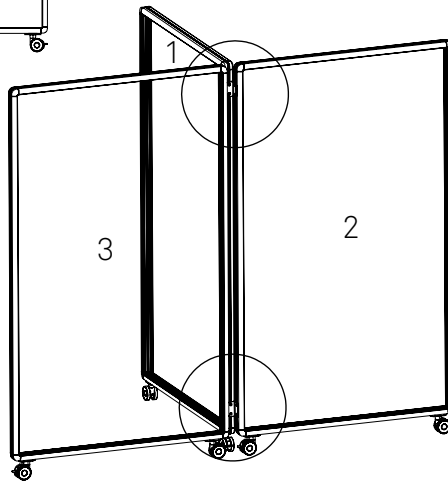
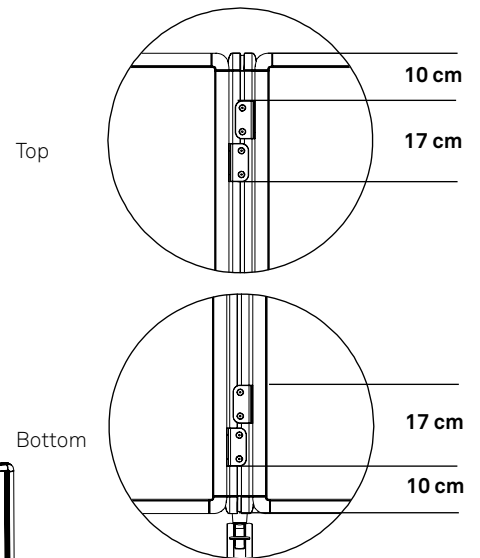
add

For T-shape

repeat step 1 to 4 on page 2



Repeat step 1 to 4 on page 2.
Keep in mind the measurements on the right.



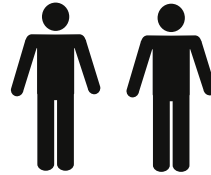
PATIO | FOLD

WHEEL BASE ASSEMBLY INSTRUCTION



Cascando®

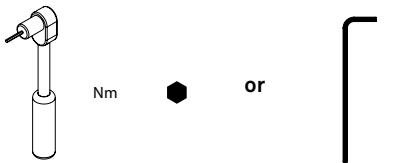
Index



NOTE! Always mount with at least 2 persons !
NOTE! Read safety sheet prior to building !

1 Tools & parts

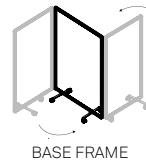
Tools



(preferred) **Bit Hex** **XL Allenkey**
Torque wrench **nr.4** **Nr.4 (97184)**

NOTE! Tighten the bolts to 17 Nm, preferably using a torque wrench

Base part configurations



NOTE! Base frames always have 2 extenders!

Wheel extenders

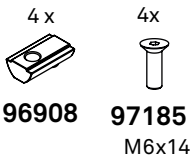


Wheel extenders for bold frame

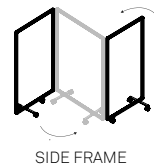
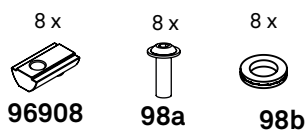


Fixing materials

Standard frame



Bold frame

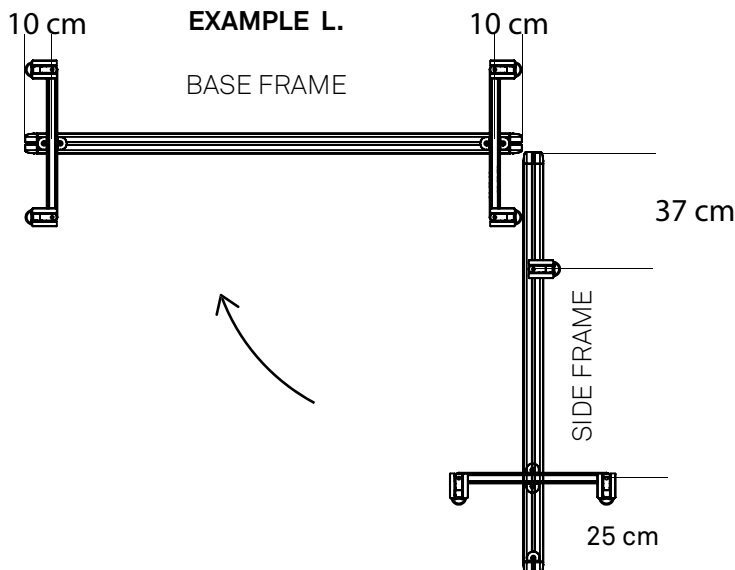


Wheel
for 80cm side frames

Wheel and wheel extender
for side frames 120/160/200cm



2 Wheel base positions L shaped configurations



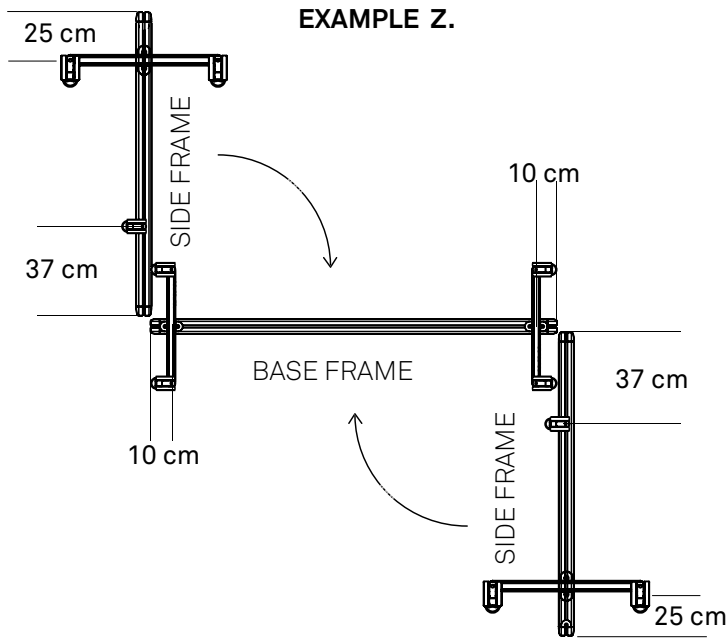
NOTE! All configurations must contain a Patio base frame

NOTE! Frames of L shaped configurations are always equal in length

Possible configurations

120cm base, 120cm side
 160cm base, 160cm side
 200cm base, 200cm side

2 Wheel base positions Z shaped configurations



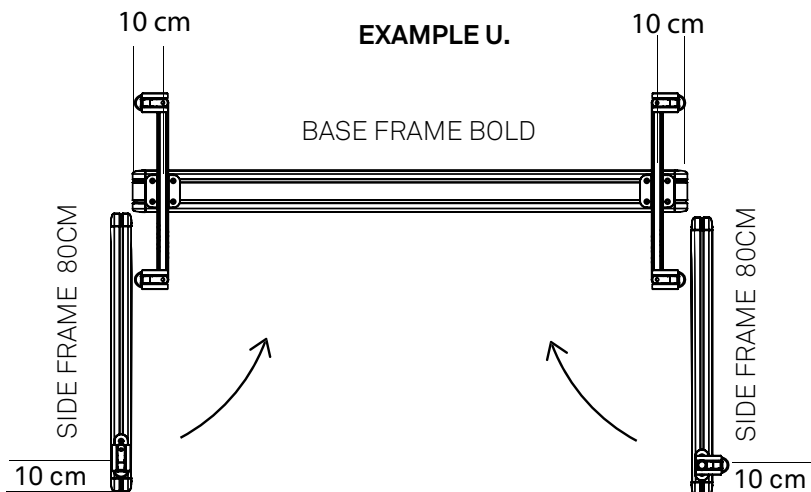
NOTE! All configurations must contain a Patio base frame

NOTE! Frames of Z shaped configurations are always equal in length

Possible configurations

120cm base, 120cm sides
160cm base, 160cm sides

2 Wheel base positions U shaped configurations



NOTE! All configurations must contain a Patio base frame

NOTE! The combined length of the side frames is equal to the length of the base frame

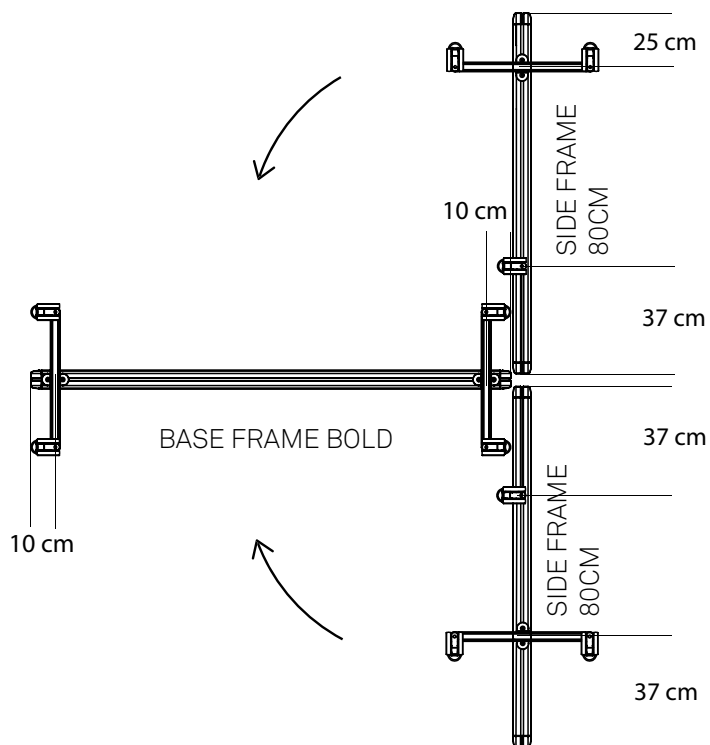
Possible configurations

160cm base, 80cm sides
200cm base, 120cm side, 80cm side

EXAMPLE T.

2 Wheel base positions T shaped configurations

EXAMPLE T.



NOTE! All configurations must contain a Patio base frame

NOTE! Frames of T shaped configurations are always equal in length

Possible configurations

120cm base, 120cm sides
160cm base, 160cm sides

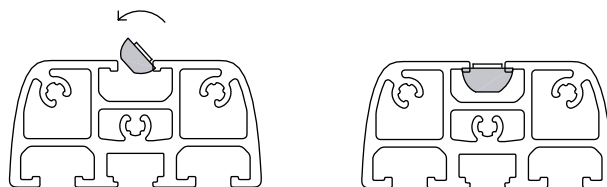
2 Placing nuts



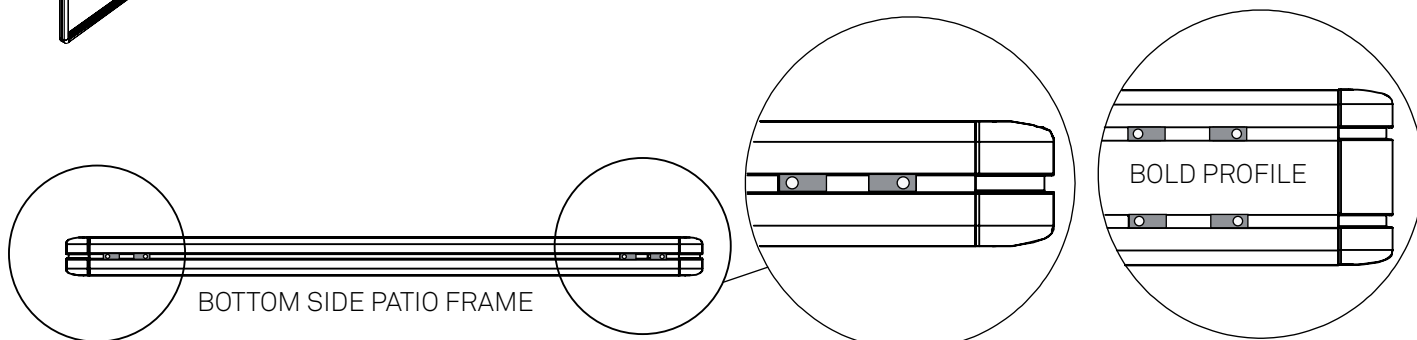
4/8 x 96908

NOTE!

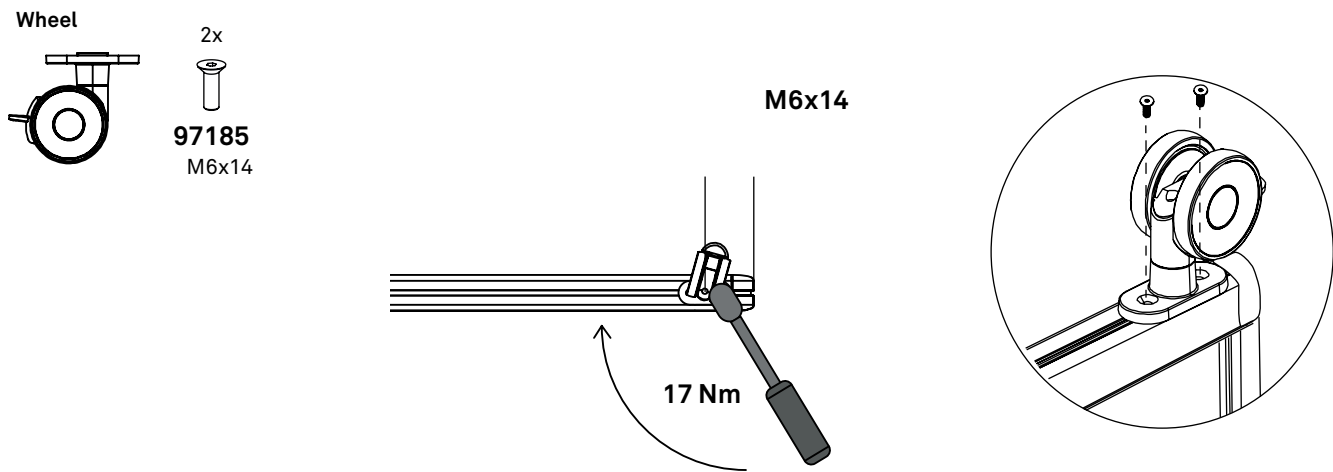
Make sure protruding part are facing upwards when laying down Patio



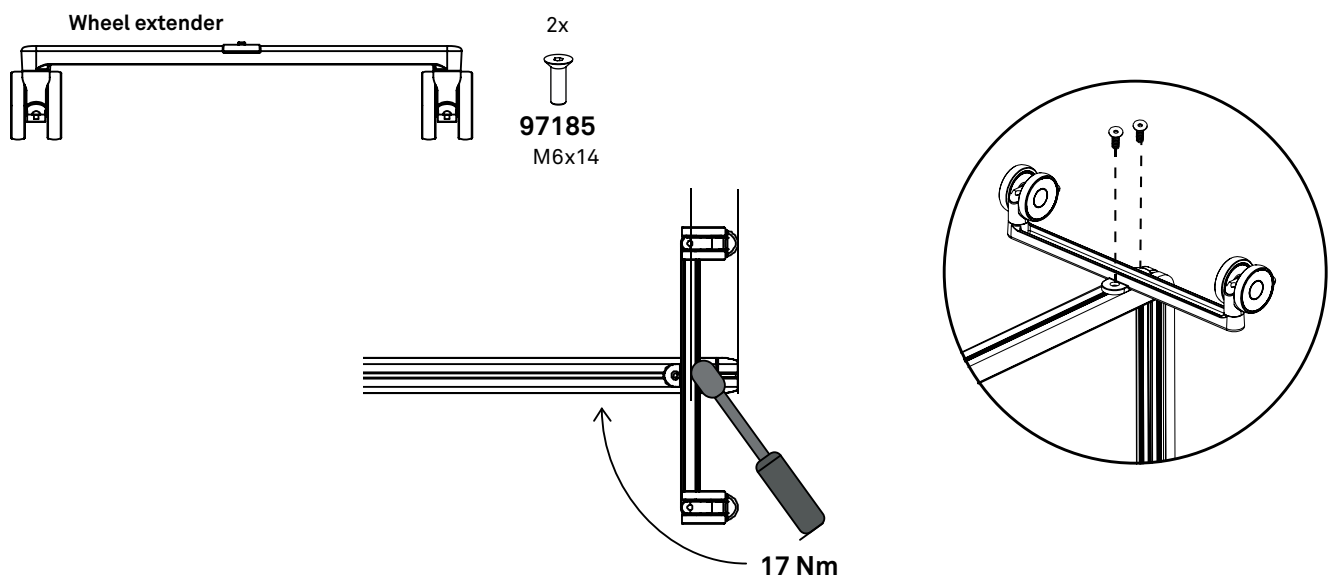
CROSS-SECTION PROFILE



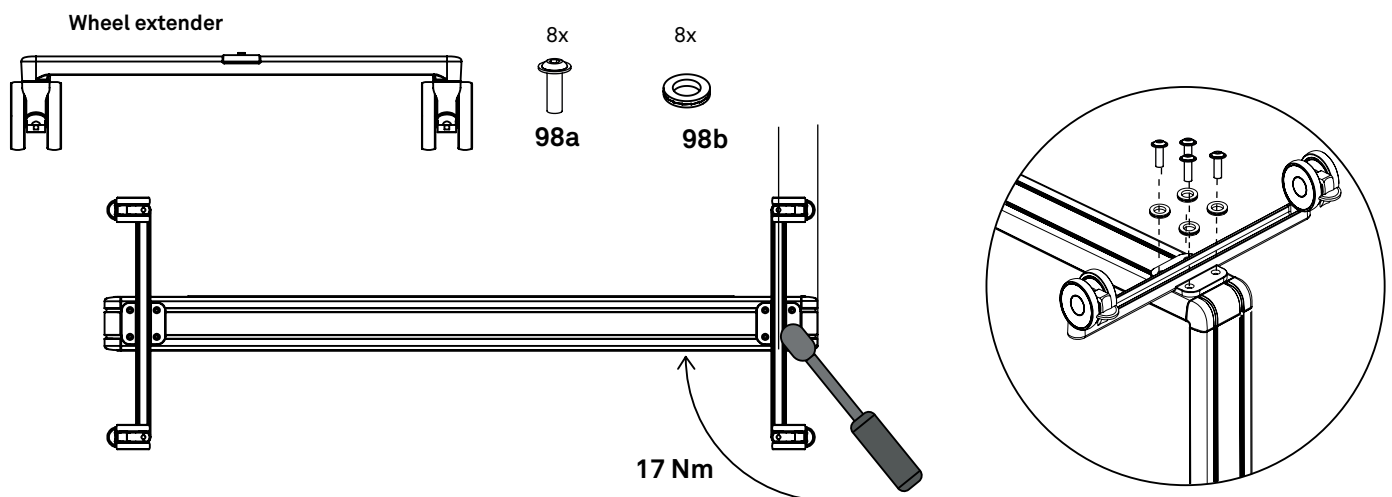
3A Mounting wheels



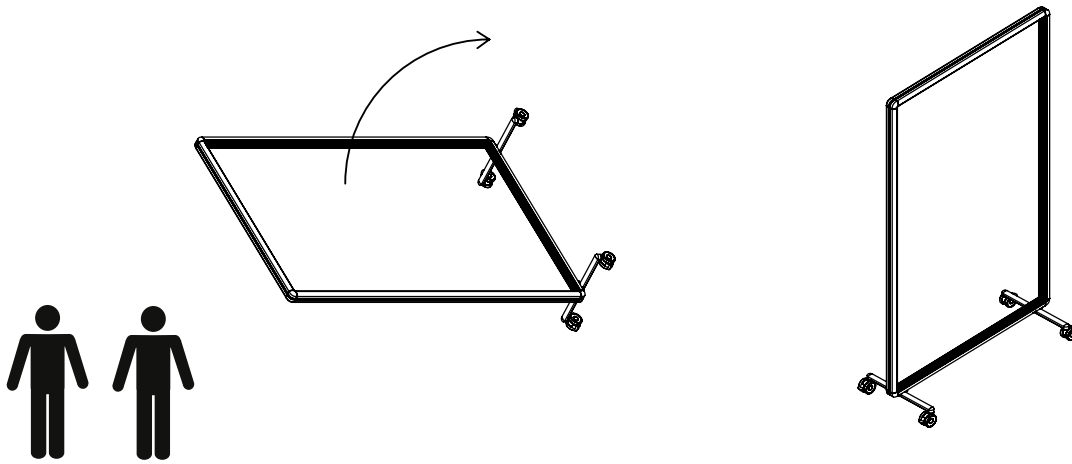
3B Mounting wheel extender



3C Mounting wheel extender bold



1A Result



NOTE! Remember to double check the bolts once every year !
This is a regular maintenance and safety procedure !

PATIO | FOLD

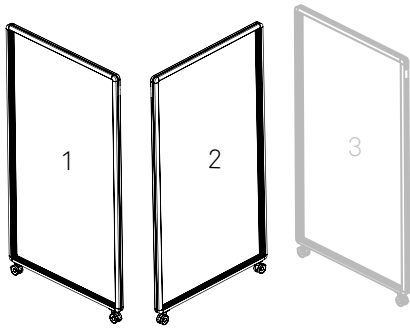
HINGE ASSEMBLY INSTRUCTIONS



Cascando®

Patio Fold

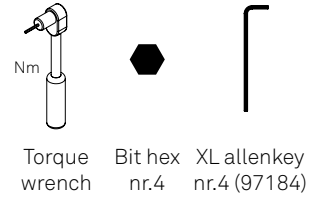
L, Z, U & T shape
Content of package



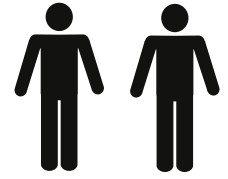
For L- shape

| | M6x14 8x | 2x | 8x | 2x |
|-------|-------------|----------|-------|------|
| black | 97188 | 98986 B | 96908 | 9445 |
| White | 97185 | 98986 GW | 96908 | 9445 |

Tools and support



Torque wrench
Bit hex nr.4
XL allenkey nr.4 (97184)



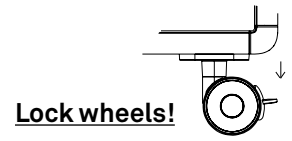
For Z and T - shape

| | M6x14 16x | 4x | 16x | 4x |
|-------|--------------|----------|-------|------|
| Black | 97188 | 98986 B | 96908 | 9445 |
| White | 97185 | 98986 GW | 96908 | 9445 |

For U - shape

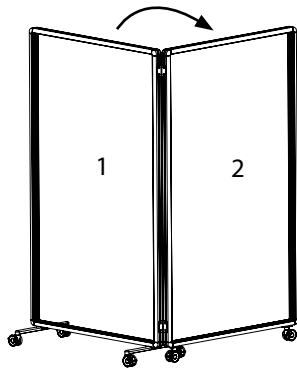
| | M6x14 16x | 4x | 16x | 4x | 8x |
|-------|--------------|----------|-------|------|-------|
| Black | 97188 | 98986 B | 96908 | 9445 | 98216 |
| White | 97185 | 98986 GW | 96908 | 9445 | 98089 |

Before starting the assembly, first mount wheels, extenders and/or feet.
(See base manual). Make sure to **lock all wheels** before the next steps !!
Read safety sheet prior to building.



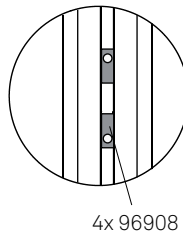
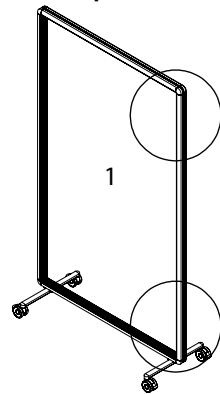
Lock wheels!

For Z & T Shape start building L - shape below.
For U - shape go to step 9 on page 16



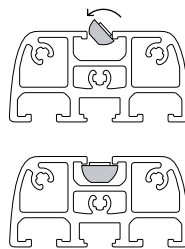
1 Insert

Repeat this for all the panels

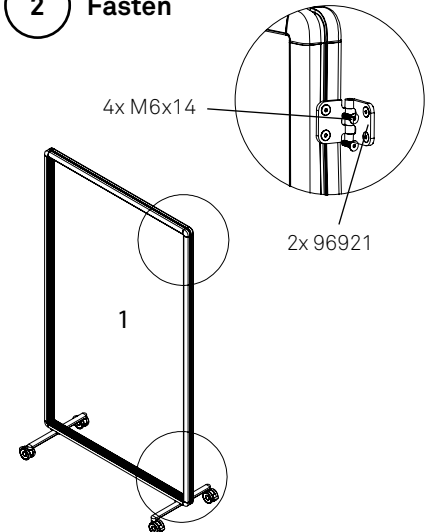


4x 96908

cross-section profile



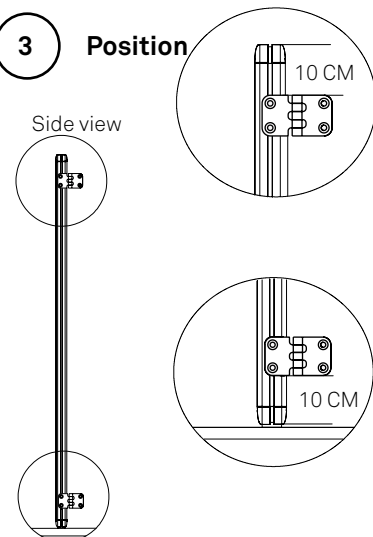
2 Fasten



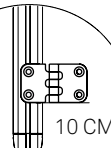
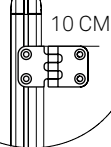
4x M6x14

2x 96921

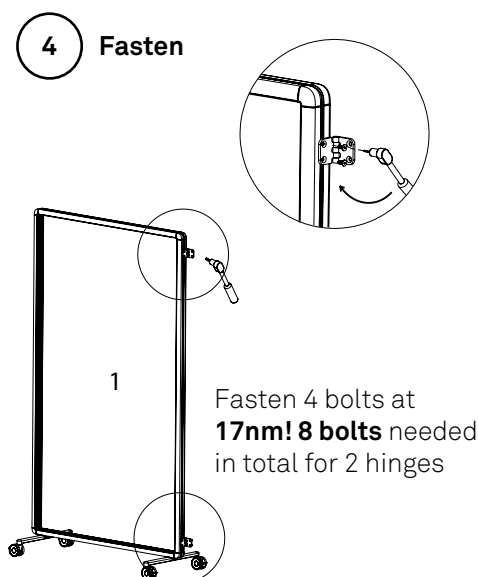
3 Position



Side view

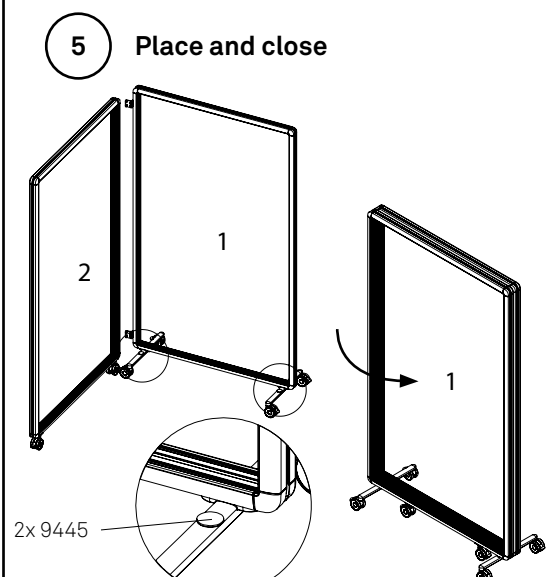


4 Fasten



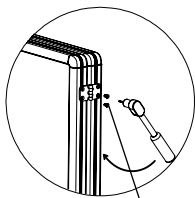
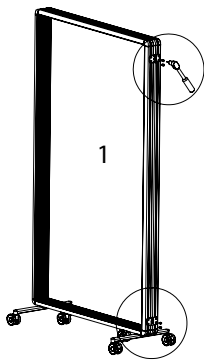
Fasten 4 bolts at **17nm!** 8 bolts needed in total for 2 hinges

5 Place and close



2x 9445

6 Fasten



4x M6x14

Fasten 4 bolts at **17nm! 8 bolts** needed in total for 2 hinges

For Z -shape go to step 7 on this page



For T -shape go to step 8 on this page

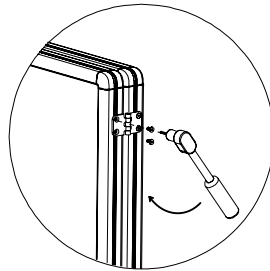
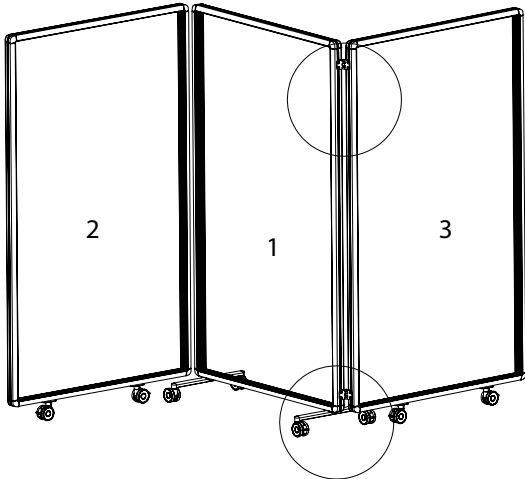


For U -shape go to step 9 on page 4

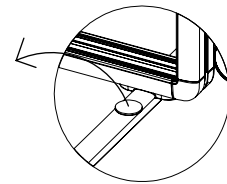
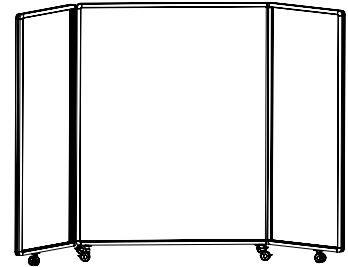


7 Place

For Z-shape repeat step 1 to 6 on page 2



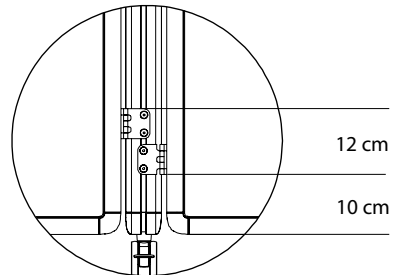
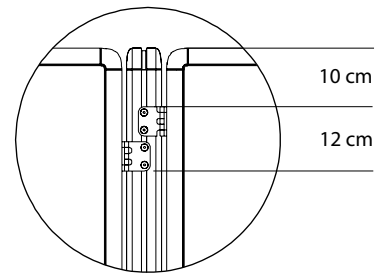
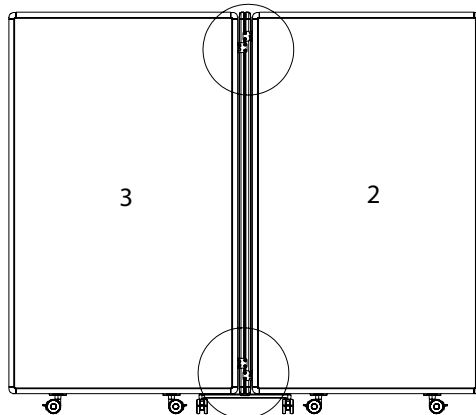
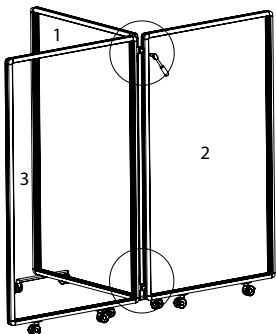
Fasten 4 bolts at **17nm! 8 bolts** needed in total for 2 hinges



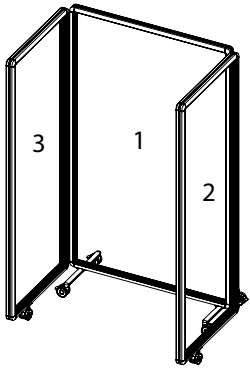
Remove **after** placing the final panel

8 Place

For T-shape repeat step 1 to 6 on page 2

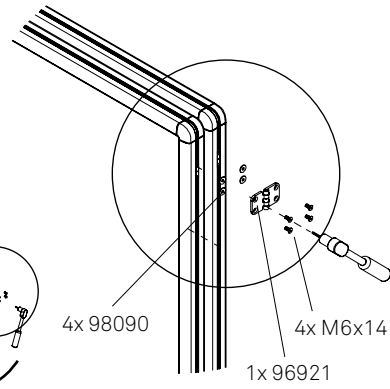
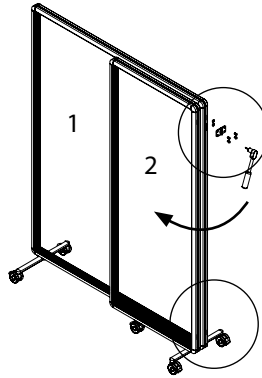
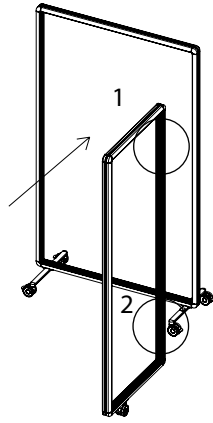


Specific directions for Patio in U configuration



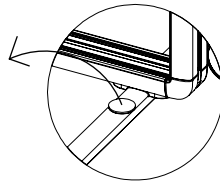
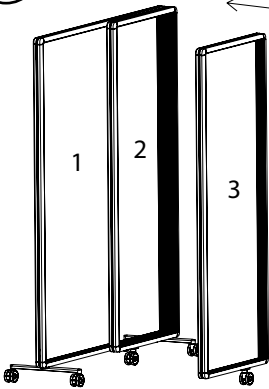
9 Place

Fasten 4 bolts at 17nm! 8 bolts needed in total for 2 hinges



10 Place

Repeat step 9 from this page



Remove **after** placing the final panel

Maintenance

Remember to double check all bolts once every year!
This is a regular maintenance and safety procedure!