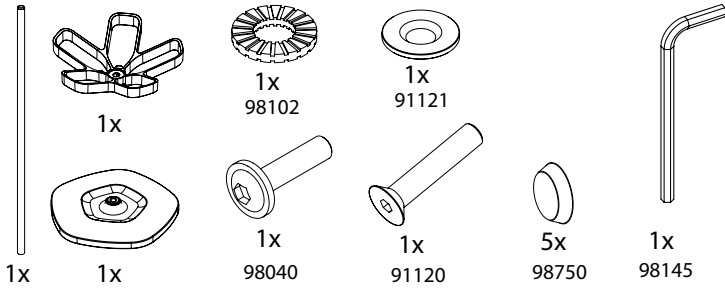
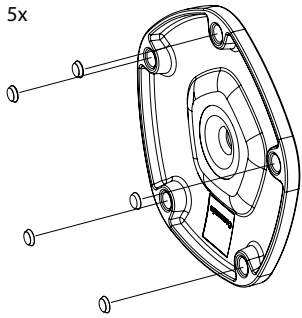


Flower Coatstand

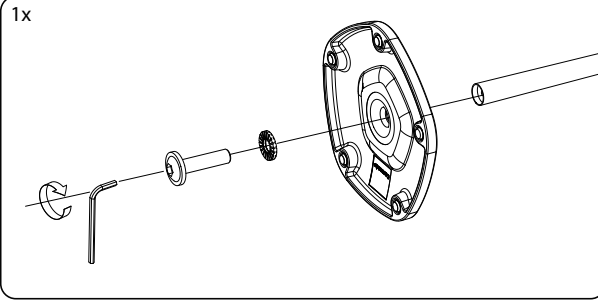
assembly instructions
Design Robert Bronwasser



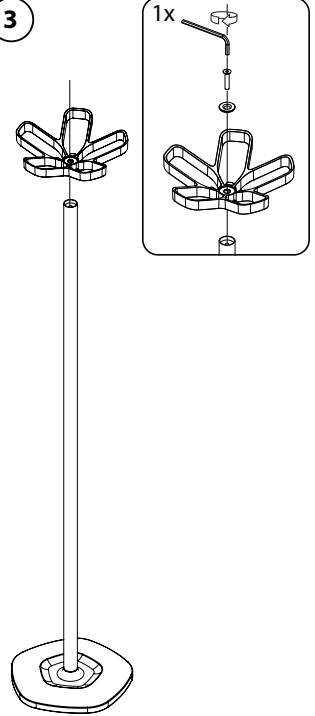
- 1** Optional: use rubber feet on hard floors



2



3



4

